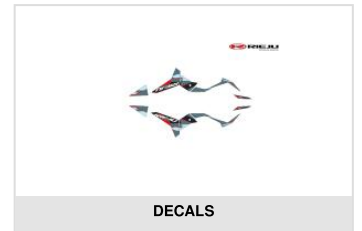
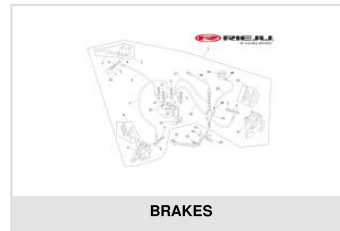
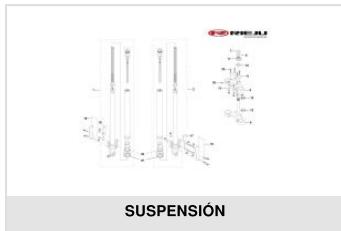
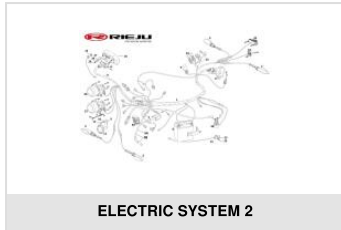
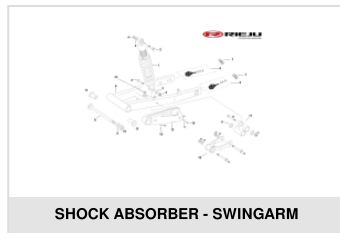


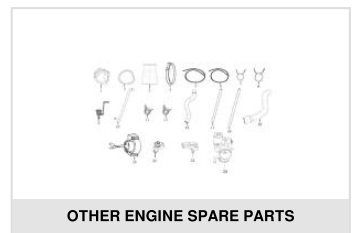
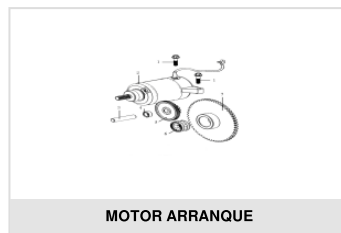
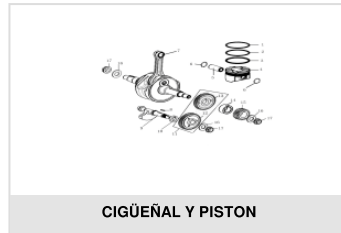
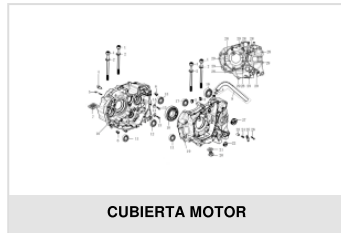
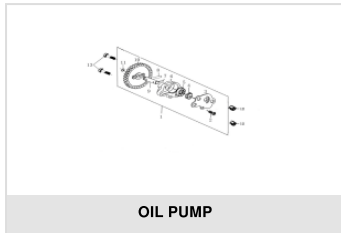
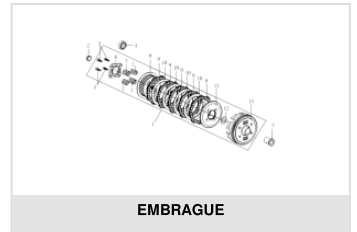
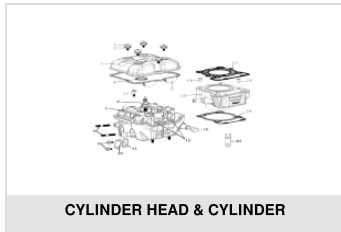


AVENTURA 125 E5 + BLANCA 2026

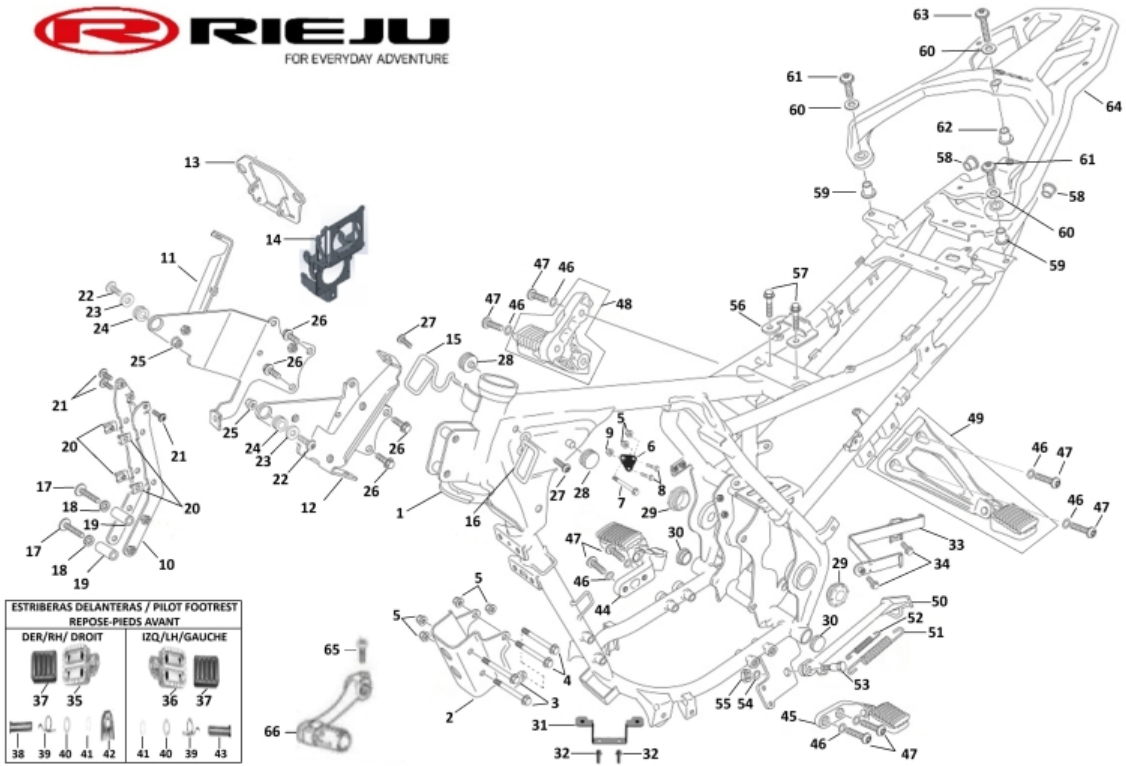
Exploded



MOTOR AVENTURA 125 E5+



CHASSIS

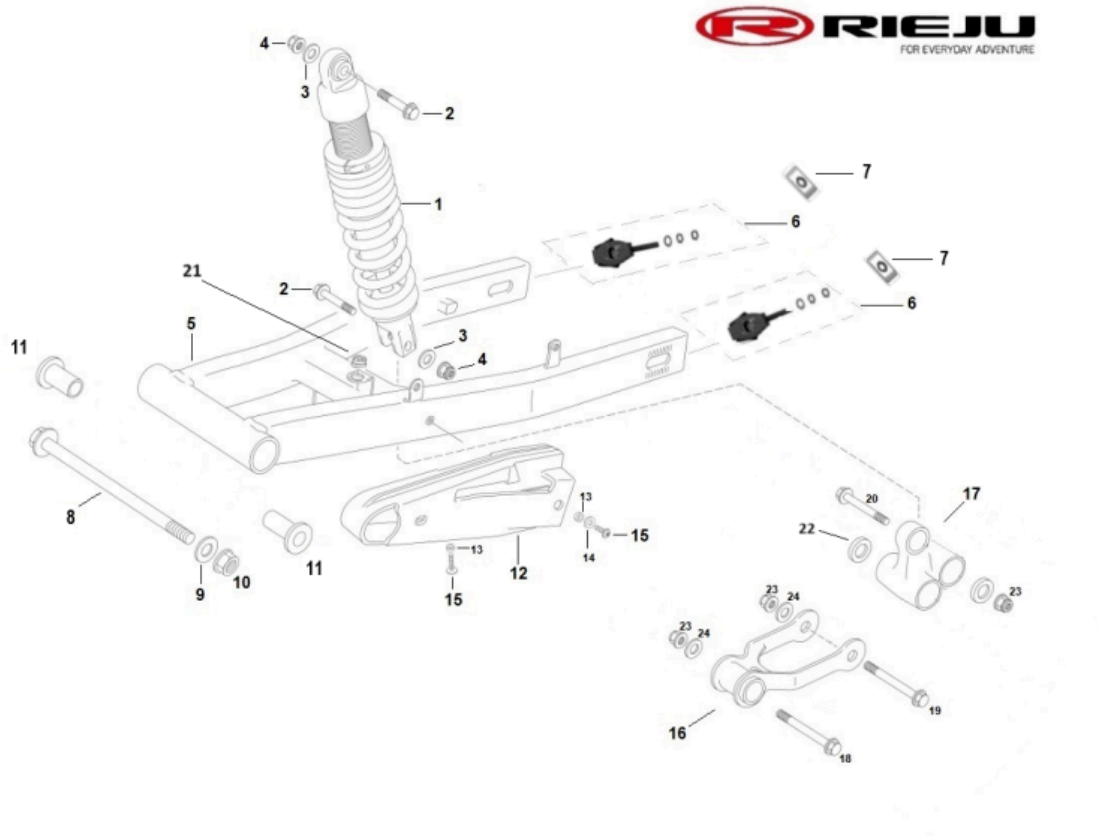


1	FRAME AVENTURA E5+ 0/000.010.4301 (u. 1)
2	FRONT ENGINE MOUNT 0/000.980.4325 (u. 1)
3	ENGINE BOLT M8x80 9.8 0/000.460.4307 (u. 2)
4	TORNILLO MOTOR M8x90 9.8 0/000.460.4308 (u. 2)
5	SELF-LOCKING NUT M8 0/000.340.4304 (u. 6)
6	UPPER RH ENGINE MOUNT 0/000.980.4326 (u. 1)
7	ENGINE SCREW M10x1.25x115 0/000.460.4309 (u. 1)
8	ENGINE SCREW M8x16 8.8 0/000.460.4306 (u. 2)
9	NUT M10x1.25 0/000.340.4301 (u. 1)
10	SUPPORT W/ODOMETER 0/000.980.4307 (u. 1)
11	HEADLIGHT SUPPORT BRACKET RH 0/000.980.4302 (u. 1)
12	LEFT HEADLIGHT SUPPORT BRACKET 0/000.980.4301 (u. 1)
13	SUPPORT KMS ACCOUNT 0/000.980.4306 (u. 1)
14	HEADLIGHT BRACKET 0/000.980.4305 (u. 1)
15	THROTTLE CABLE PASS-THROUGH CLIP 0/000.680.4301 (u. 1)
16	CLUTCH CABLE GROMMET CLIP 0/000.680.4303 (u. 1)

17	SCREW ISO 7380 Torx T-30 with washer M6x50 STAINLESS STEEL 0/000.460.0040 (u. 2)
18	DENTED WASHER DIN 6798/J M6 GRADE A2 STAINLESS STEEL 0/000.440.0240 (u. 2)
19	SEPARADOR Ø12x2,75x30 Z/BLANCO 0/000.480.4317 (u. 2)
20	QUICK NUT TRT M5-1 GEOMET 0/000.340.5100 (u. 4)
21	SCREW ISO 7380 Torx T-25 WITH WASHER M5x10 STAINLESS STEEL 0/000.460.0105 (u. 3)
22	SCREW ISO 7380 Torx T-30 with washer M6x25 STAINLESS STEEL 0/000.460.3033 (u. 2)
23	BUSHING Ø22xØ6xL=10.00 Z/WHITE 0/000.480.4318 (u. 2)
24	PLASTIC SILENTBLOCK RUBBER 0/000.360.4318 (u. 2)
25	NUT DIN 6926 M6 GRADE 8 Z/WHITE 0/000.340.0170 (u. 2)
26	SCREW DIN 6921 M8x15 Cal.8.8 Z/WHITE 0/000.460.0651 (u. 4)
27	ISO 7380 TORX T-30 SCREW WITH WASHER M6X16 STAINLESS STEEL 0/000.460.2023 (u. 2)
28	RUBBER STOP CHASSIS TANK 0/000.360.4303 (u. 2)
29	SWINGARM RUBBER PLUG 0/000.410.4300 (u. 2)
30	RUBBER CHASSIS CAP 0/000.410.4301 (u. 2)
31	BELLY PAN BRACKET 0/000.980.4320 (u. 1)
32	SCREW DIN 6921 M6x10 0/000.460.6203 (u. 2)
33	BATTERY BRACKET 0/000.980.4323 (u. 1)
34	SCREW DIN 6921 M6x10 0/000.460.6203 (u. 2)
35	FRONT RIGHT FOOTREST 0/000.740.4301 (u. 1)
36	FRONT LH FOOTPEG 0/000.740.4300 (u. 1)
37	FRONT FOOTPEG RUBBER 0/000.360.4309 (u. 2)
38	FRONT RIGHT FOOTPEG AXLE 0/000.190.4305 (u. 1)
39	FRONT FOOTPEG SPRING 0/000.470.4306 (u. 2)
40	WASHER Ø10XØ18X2.5 0/000.440.4309 (u. 2)
41	FRONT FOOTREST CIRCLIP 0/000.300.4301 (u. 2)
42	RH FOOTREST PROTECTOR 0/000.220.4312 (u. 1)
43	FRONT LEFT FOOTPEG SHAFT 0/000.190.4306 (u. 1)
44	FRONT RIGHT FOOTREST BRACKET 0/000.980.4322 (u. 1)

45	FRONT LEFT FOOTREST BRACKET 0/000.980.4321 (u. 1)
46	SCHNORR WASHER FOR DIN 912 AET M8 Cal.A2 INOX 0/000.440.0016 (u. 8)
47	SCREW ISO 7380 Torx T-40 M8x30 STAINLESS STEEL 0/000.460.0114 (u. 8)
48	SET REAR FOOTRESTS RH AVENTURA 125 0/K00.740.4300 (u. 1)
49	SET REAR LEFT FOOTRESTS AVENTURA 125 0/K00.740.4301 (u. 1)
50	SIDE STAND AVENTURA 0/000.210.4301 (u. 1)
51	SIDE STAND SPRING 0/000.470.4301 (u. 1)
52	INTERNAL SPRING SIDE STAND 0/000.470.4302 (u. 1)
53	SIDE STAND BOLT 0/000.460.4304 (u. 1)
54	SCHNORR WASHER FOR DIN 912 AET M10 Cal.A2 STAINLESS STEEL 0/000.440.0023 (u. 1)
55	NUT M10x1.25 0/000.340.4303 (u. 1)
56	SEAT MOUNTING PLATE 0/000.220.4310 (u. 1)
57	SCREW DIN 6921 M6 X 40 GRADE 8.8 ZINC/WHITE 0/000.460.0621 (u. 2)
58	REAR CHASSIS RUBBER CAP 0/000.410.4302 (u. 2)
59	BUSHING Ø22xØ8.50xL=21.5 WHITE 0/000.480.4320 (u. 2)
60	FLAT WASHER Ø20xØ8.5x1.5 Z/WHITE 0/000.440.0161 (u. 3)
61	SCREW ISO 7380 Torx T-40 with washer M8x35 STAINLESS STEEL 0/000.460.0119 (u. 2)
62	BUSHING Ø20xØ8.50xL=31.00 Z/WHITE 0/000.480.4321 (u. 1)
64	GRAB HANDLE SUPPORT 0/000.980.4312 (u. 1)
65	HEX.5 DIN 6921 FLANGE BOLT M6x22 Z/WHITE 0/000.460.0122 (u. 1)
66	GEAR CHANGE PEDAL SELECTOR MRT 125 0/005.430.6001 (u. 1)

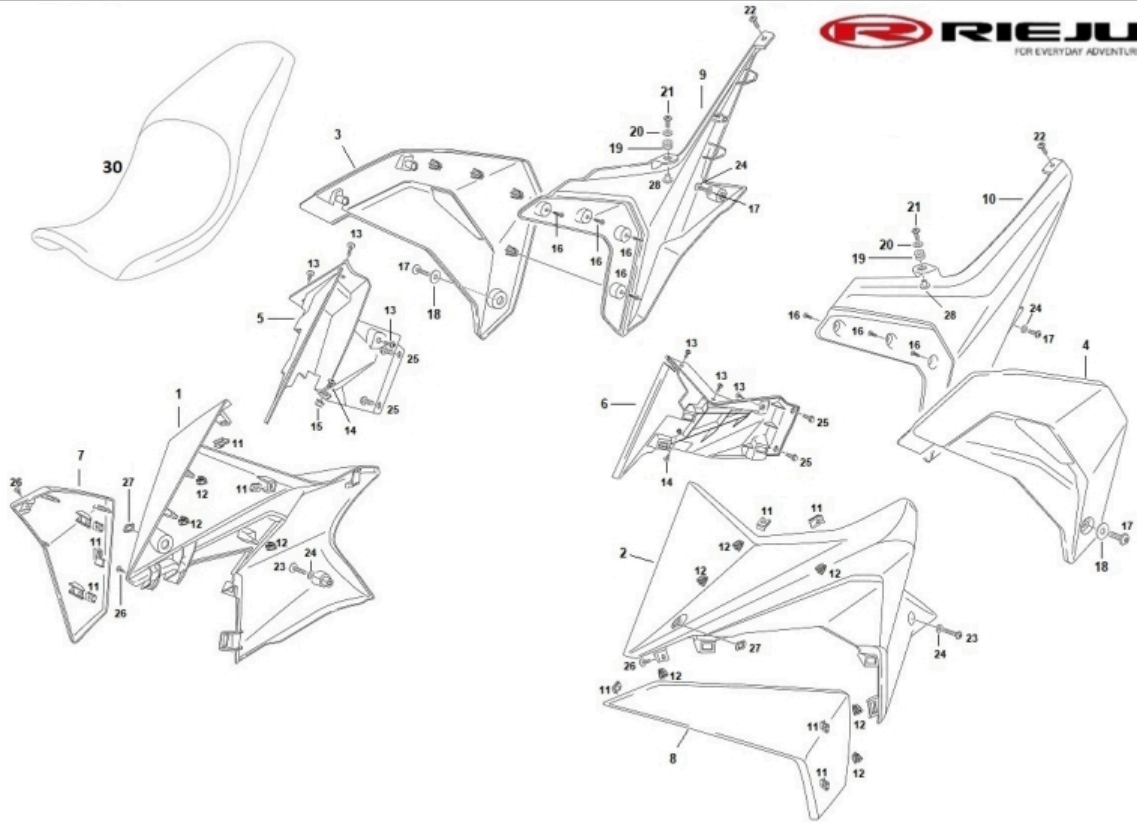
SHOCK ABSORBER - SWINGARM



1	SHOCK ABSORBER AVENTURA 0/000.180.4300 (u. 1)
2	TORNILLO M10x54 BALANCIN A AMORTIGUADOR 0/000.460.4303 (u. 2)
3	WASHER Ø10x25x2 0/000.440.4300 (u. 2)
4	NUT M10x1.25 0/000.340.4301 (u. 2)
5	SWING ARM ASSEMBLED AVENTURA 125 0/K00.020.4300 (u. 1)
6	SET CHAIN TENSIONER 0/000.380.4300 (u. 2)
7	CHAIN TENSIONER STOP 0/000.380.4301 (u. 1)
8	SWING ARM AXE AVENTURA 0/000.190.4302 (u. 1)
9	FLAT WASHER DIN 125/A M14 Z/WHITE 0/000.440.0123 (u. 1)
10	NUT DIN 985 M14 PITCH 150 GRADE 10 Z/WHITE 0/000.340.0186 (u. 1)
11	SWINGARM BUSHING 0/000.480.4313 (u. 2)
12	CHAIN SLIDER RUBBER 0/000.710.4300 (u. 1)
13	SPACER BARS UPSIDE-DOWN FORK Q10-6.2X3.4 MRX/PRO 0/000.480.5009 (u. 2)
14	FLAT WASHER DIN 9021 M6 Z/WHITE 0/000.440.0130 (u. 1)
15	SCREW ISO 7380 TORX T-30 WITH WASHER M6X20 STAINLESS STEEL 0/000.460.3031 (u. 2)

16	LINKAGE 0/000.770.4300 (u. 1)
17	SET OF ROCKER AVENTURA 0/000.980.4327 (u. 1)
18	BOLT M12x100 LINK TO CHASSIS 0/000.460.4300 (u. 1)
19	SCREW M12x105 ROCKER TO LINKAGE 0/000.460.4302 (u. 1)
20	TORNILLO M12x75 BALANCIN A BASCULANTE 0/000.460.4301 (u. 1)
21	CHAIN PROTECTOR CENTERING RUBBER 0/000.360.4316 (u. 1)
22	WASHER Ø24 x Ø12.50 x 1 STAINLESS STEEL 0/000.440.4310 (u. 1)
23	NUT M12x1.25 0/000.340.4300 (u. 3)
24	WASHER Ø10x29x2 0/000.440.4301 (u. 3)

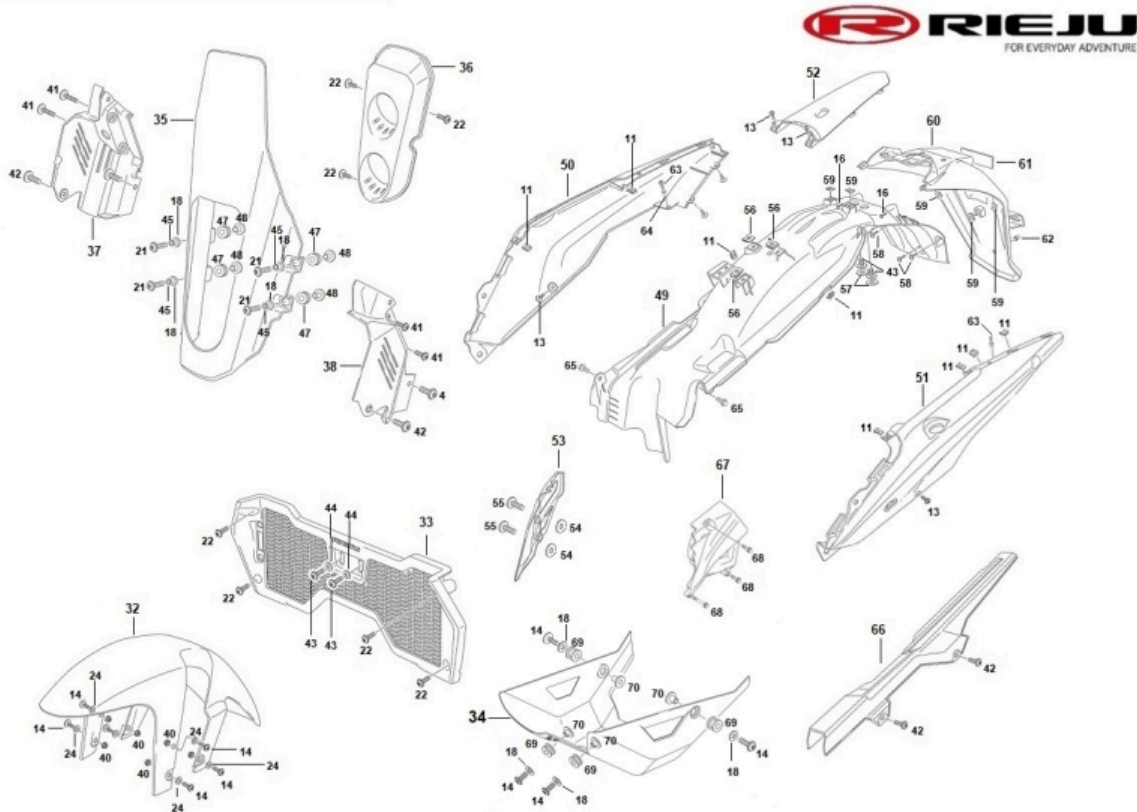
PLASTICS 1



1	TAPA RADIADOR RH BLANCA 0/000.570.4331 (u. 1)
2	TAPA RADIADOR LH BLANCA 0/000.570.4332 (u. 1)
3	RH SIDE COVER TRIM 0/000.220.4305 (u. 1)
4	SIDE COVER TRIM LH 0/000.220.4306 (u. 1)
5	INNER RADIATOR COVER RH 0/000.570.4302 (u. 1)
6	INNER RADIATOR COVER LH 0/000.570.4303 (u. 1)
7	RADIATOR COVER TRIM RH 0/000.220.4303 (u. 1)
8	RADIATOR COVER TRIM LH 0/000.220.4304 (u. 1)
11	QUICK NUT TRT M5-1 GEOMET 0/000.340.5100 (u. 15)
12	SPRING CLIP SIDE COVERS 0/000.680.4306 (u. 5)
13	SCREW ISO 7380 Torx T-25 WITH WASHER M5x10 STAINLESS STEEL 0/000.460.0105 (u. 6)
14	ISO 7380 TORX T-30 SCREW WITH WASHER M6X16 STAINLESS STEEL 0/000.460.2023 (u. 2)
15	NUT DIN 6926 M6 GRADE 8 Z/WHITE 0/000.340.0170 (u. 2)
16	SCREW CELO RF82T 4x12 TORX Z/WHITE 0/000.460.0053 (u. 1)
17	ISO 7380 TORX T-30 SCREW WITH WASHER M6X16 STAINLESS STEEL 0/000.460.2023 (u. 4)

18	FLAT WASHER DIN 9021 M6 Z/WHITE 0/000.440.0130 (u. 2)
19	SILENTBLOCK GROMMET FOR ODOMETER 0/000.360.4002 (u. 2)
20	FLAT WASHER DIN 9021 M6 Z/WHITE 0/000.440.0130 (u. 2)
21	SCREW ISO 7380 TORX T-30 WITH WASHER M6X20 STAINLESS STEEL 0/000.460.3031 (u. 2)
22	SCREW ISO 7380 Torx T-25 WITH WASHER M5x10 STAINLESS STEEL 0/000.460.0105 (u. 2)
23	SCREW ISO 7380 Torx T-30 with washer M6x25 STAINLESS STEEL 0/000.460.3033 (u. 2)
24	NYLON WASHER NFE 27611 M6 0/000.440.5000 (u. 4)
25	SCREW DIN 6921 M6x10 0/000.460.6203 (u. 4)
26	SCREW ISO 7380 Torx T-25 WITH WASHER M5x10 STAINLESS STEEL 0/000.460.0105 (u. 2)
27	TURN SIGNAL BLOCKER AVENTURA 0/000.570.4315 (u. 2)
28	BUSHING Ø18xØ6xL=11.50 WHITE 0/000.480.4319 (u. 2)
30	COMPLETE SEAT AVENTURA 0/000.040.4301 (u. 1)

PLASTICS 2

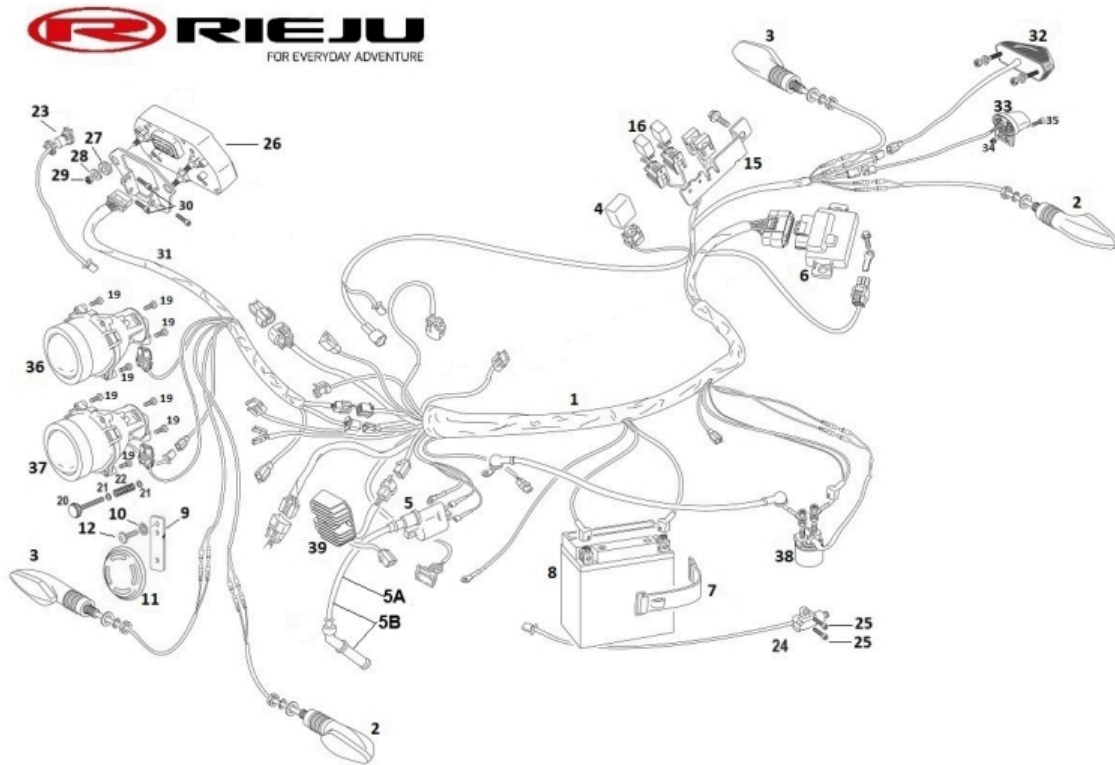


11	QUICK NUT TRT M5-1 GEOMET 0/000.340.5100 (u. 2)
13	SCREW ISO 7380 Torx T-25 WITH WASHER M5x10 STAINLESS STEEL 0/000.460.0105 (u. 4)
14	ISO 7380 TORX T-30 SCREW WITH WASHER M6X16 STAINLESS STEEL 0/000.460.2023 (u. 10)
16	SCREW CELO RF82T 4x12 TORX Z/WHITE 0/000.460.0053 (u. 2)
18	FLAT WASHER DIN 9021 M6 Z/WHITE 0/000.440.0130 (u. 4)
21	SCREW ISO 7380 TORX T-30 WITH WASHER M6X20 STAINLESS STEEL 0/000.460.3031 (u. 8)
22	SCREW ISO 7380 Torx T-25 WITH WASHER M5x10 STAINLESS STEEL 0/000.460.0105 (u. 12)
24	NYLON WASHER NFE 27611 M6 0/000.440.5000 (u. 6)
32	GUARDABARROS DELANTERO AVENTURA 125i BASE 0/000.050.4302 (u. 1)
33	RADIATOR PROTECTOR GRILLE 0/000.220.4302 (u. 1)
34	SKID PLATE 0/000.220.4301 (u. 1)
35	WINDSHIELD GLASS 0/000.780.4300 (u. 1)
36	FRONT LIGHTS COVER 0/000.570.4310 (u. 1)
37	FRONT LEFT OPTICAL COVER 0/000.570.4312 (u. 1)
38	FRONT LIGHTS COVER RH 0/000.570.4311 (u. 1)

40	NUT DIN 6923 M6 Cal.6 Z/WHITE 0/000.340.0016 (u. 6)
41	SCREW ISO 7380 Torx T-25 with washer M5x16 STAINLESS STEEL 0/000.460.0083 (u. 2)
42	SCREW ISO 7380 Torx T-30 WITH WASHER M6x12 STAINLESS STEEL 0/000.460.0044 (u. 4)
43	SCREW ISO 7380-2 Torx T-40 with washer M8x15 STAINLESS STEEL 0/000.460.0067 (u. 2)
44	FLAT WASHER Ø20xØ8.5x1.5 Z/WHITE 0/000.440.0161 (u. 2)
45	DENTED WASHER DIN 6798/J M6 GRADE A2 STAINLESS STEEL 0/000.440.0240 (u. 4)
47	PLASTIC SILENTBLOCK RUBBER 0/000.360.4318 (u. 4)
48	BUSHING Ø22xØ6xL=10.00 Z/WHITE 0/000.480.4318 (u. 4)
49	WHEEL COVER PROTECTOR 0/000.570.4313 (u. 1)
50	TAPA LATERAL TRASERA RH BLANCA 0/000.570.4333 (u. 1)
51	TAPA LATERAL TRASERA LH BLANCA 0/000.570.4334 (u. 1)
52	TAPA CENTRAL SUBCHASIS PINTADO NEGRO 0/000.570.4325 (u. 1)
53	REAR BRAKE PUMP PROTECTOR 0/000.220.4308 (u. 2)
54	WASHER Ø6XØ18 0/000.440.4304 (u. 2)
55	SCREW ISO 7380 Torx T-30 with washer M6x30 STAINLESS STEEL 0/000.460.0065 (u. 2)
56	QUICK NUT TRT M6 GEOMET 0/000.340.5101 (u. 3)
57	FLAT WASHER DIN 9021 M8 Z/WHITE 0/000.440.3503 (u. 2)
58	SCREW CH88H 4.8x16 C WHITE ZINC PLATED 0/000.460.1168 (u. 3)
59	QUICK NUT TR 601-A BLACKENED 0/000.340.4305 (u. 5)
60	REAR FENDER LICENSE PLATE HOLDER 0/000.060.4300 (u. 1)
61	REAR REFLECTOR (RED) 0/000.630.4300 (u. 1)
62	ANTI-VIBRATION RUBBER 0/000.360.4313 (u. 1)
63	SCREW ISO 7380 Torx T-25 with washer M5x16 STAINLESS STEEL 0/000.460.0083 (u. 2)
64	SILENTBLOCK RUBBER M5 0/000.360.4319 (u. 2)
65	SCREW DIN 6921 M6x10 0/000.460.6203 (u. 4)
66	CHAIN GUARD 0/000.220.4309 (u. 1)
67	ENGINE SPROCKET COVER CENTURY V2 0/000.220.4018 (u. 1)
68	HEX SCREW M6x30 HEAD 8 0/000.460.0223 (u. 3)

69	SILENTBLOCK PLASTIC MOUNTING 0/000.360.4310 (u. 4)
70	BUSHING Ø18xØ6xL=11.50 WHITE 0/000.480.4319 (u. 4)

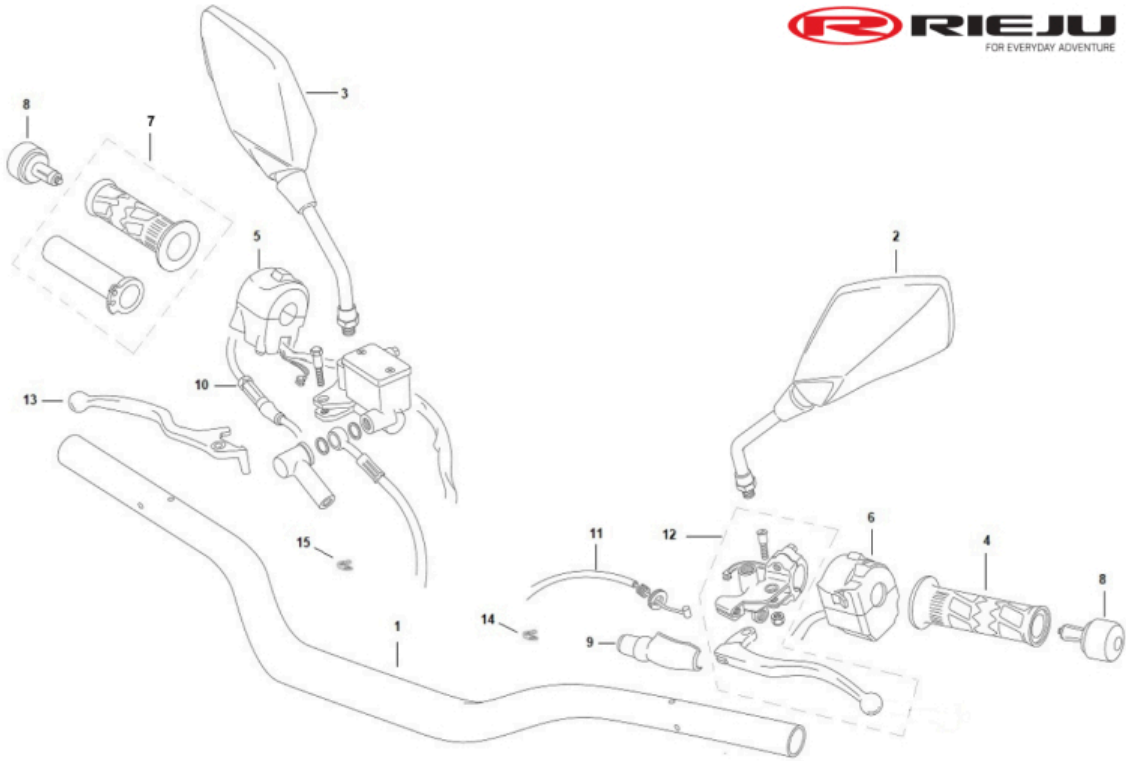
ELECTRIC SYSTEM 2



1	MAIN HARNESS AVENTURA E5+ 0/000.160.4304 (u. 1)
2	FRONT LH TURN SIGNAL / REAR LH AVENTURA 0/000.150.4300 (u. 1)
3	FRONT RH / REAR RH TURN SIGNAL AVENTURA 0/000.150.4301 (u. 1)
4	TURN SIGNAL CONTROL UNIT AVENTURA 125 E5+ 0/001.200.4301 (u. 1)
5	IGNITION COIL AVENTURA 125 E5+ + SPARK PLUG 0/005.070.4300 (u. 1)
5A	ANTIPARASITIC INSTALLATION CENTURY 0/000.160.4007 (u. 1)
5B	SPARK PLUG CAP CENTURY v.2 0/005.110.4000 (u. 1)
6	ECU AVENTURA E5+ 0/005.705.4001 (u. 1)
7	BATTERY RUBBER STRAP 0/000.980.4324 (u. 1)
8	BATTERY 0/000.900.4301 (u. 1)
9	LAMBDA SENSOR CONNECTOR BRACKET WHITE 0/000.980.4339 (u. 1)
10	FLAT WASHER DIN 125/A M6 Z/WHITE 0/000.440.0131 (u. 1)
11	HORN CLASS II TYPE DL128J-12V 0/000.420.5011 (u. 1)
12	SCREW DIN 6921 M6x10 0/000.460.6203 (u. 2)
15	FUSE-RELAY HOLDER 0/000.980.4333 (u. 1)

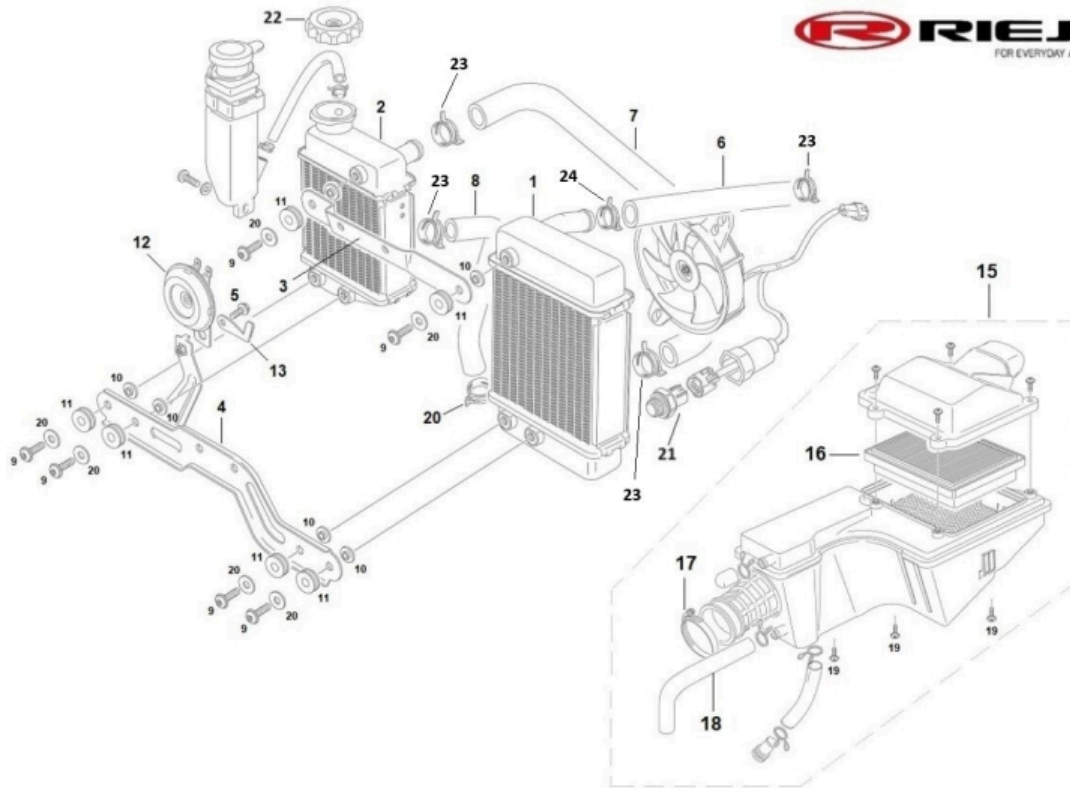
16	SWITCHED RELAY 0/001.200.0401 (u. 2)
19	ALTRACS PLUS SCREW 50x18 WN 5152 0/000.460.4310 (u. 8)
20	REGULATOR BOLT HEADLIGHT ELESA B.193/18 P M5X40 0/000.460.9106 (u. 1)
21	FLAT WASHER DIN 125/A M5 Z/WHITE 0/000.440.0129 (u. 1)
22	ADJUSTMENT SCREW HEADLIGHT SPRING 0/000.470.9107 (u. 1)
23	USB PORT 0/001.200.4300 (u. 1)
24	KICKSTAND SENSOR 0/001.010.4302 (u. 1)
25	ALLEN SCREW DIN 912 M5x16 GRADE 8.8 Z/WHITE 0/000.460.0285 (u. 2)
26	AVENTURA SPEEDOMETER E5+ 0/001.000.4301 (u. 1)
27	PLASTIC SILENTBLOCK RUBBER 0/000.360.4318 (u. 3)
28	FLAT WASHER DIN 9021 M6 Z/WHITE 0/000.440.0130 (u. 3)
29	SELF-LOCKING NUT DIN 985 M6 GRADE 8 ZINC/WHITE 0/000.340.0169 (u. 3)
30	SCREW ISO 7380 Torx T-25 WITH WASHER M5x10 STAINLESS STEEL 0/000.460.0105 (u. 3)
31	DASHBOARD HARNESS 0/000.160.4305 (u. 1)
32	LED TAIL LIGHT V.2 0/000.150.9106 (u. 1)
33	REAR LICENSE PLATE LAMP 0/000.150.4302 (u. 1)
34	NUT DIN 6926 M5 GRADE 8 Z/WHITE 0/000.340.0172 (u. 1)
35	SCREW DIN 912 Allen M5x16 Grade 8.8 BLACK 0/000.460.0055 (u. 1)
36	SHORT ELLIPSOIDAL HEADLIGHT 0/000.600.4300 (u. 1)
37	LONG ELLIPSOIDAL HEADLIGHT WITH CONNECTOR 0/000.600.4301 (u. 1)
38	STARTER RELAY 0/227.012.0004 (u. 1)
39	REGULATOR CENTURY v.2 0/001.200.4006 (u. 1)

HANDLEBAR



1	HANDLEBAR AVENTURA E5+ 0/000.170.4302 (u. 1)
2	LEFT MIRROR CENTURY v.2 0/000.990.4007 (u. 1)
3	REARVIEW MIRROR RH CENTURY v.2 0/000.990.4006 (u. 1)
4	RUBBER GRIP LH AVENTURA 0/000.530.4300 (u. 1)
5	RH SWITCH AVENTURA 125 E5+ 0/000.720.4304 (u. 1)
6	LH SWITCH AVENTURA 125 E5+ 0/000.720.4303 (u. 1)
7	COMPLETE THROTTLE GRIP AVENTURA 0/000.530.4301 (u. 1)
8	HANDLEBAR END SET CENTURY V.2 0/000.170.4003 (u. 1)
9	CLUTCH LEVER RUBBER CAP 0/000.360.4004 (u. 1)
10	THROTTLE CABLE AVENTURA E5+ 0/000.550.4303 (u. 1)
11	CLUTCH CABLE AVENTURA 125 E5+ 0/000.550.4304 (u. 1)
12	CLUTCH LEVER AVENTURA 0/000.830.4300 (u. 1)
13	BRAKE LEVER AVENTURA 125 0/000.830.4301 (u. 1)
14	CLUTCH CABLE GROMMET CLIP 0/000.680.4303 (u. 1)
15	THROTTLE CABLE PASS-THROUGH CLIP 0/000.680.4301 (u. 1)

RADIATOR - AIR FILTER

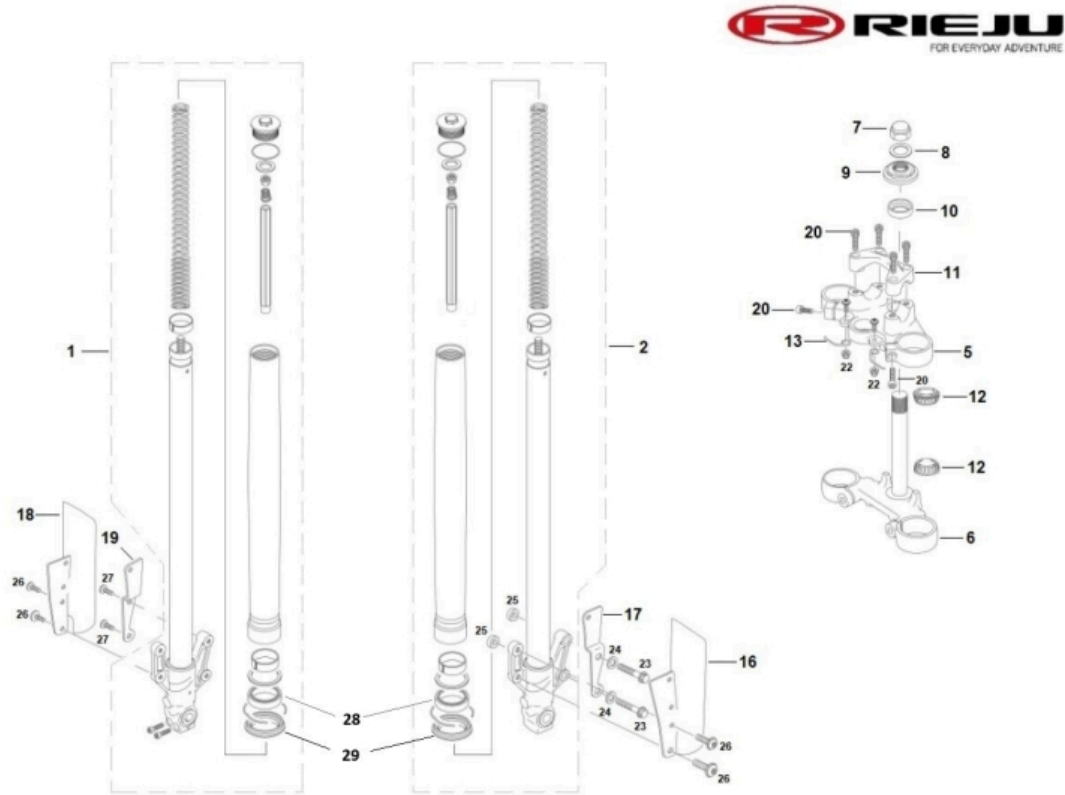


1	LH RADIATOR WITH ELECTRIC FAN 0/000.580.4300 (u. 1)
2	RADIATOR RH 0/000.580.4301 (u. 1)
3	UPPER RADIATOR SUPPORT 0/000.980.4328 (u. 1)
4	LOWER RADIATOR SUPPORT 0/000.980.4329 (u. 1)
5	SCREW DIN 6921 M6x10 0/000.460.6203 (u. 1)
6	TUBO RADIADOR A TERMOSTATO AVENTURA 125 E5+ 0/000.290.4309 (u. 1)
7	RADIATOR PIPE TO RADIATOR 0/000.290.4303 (u. 1)
8	RADIATOR HOSE TO WATER PUMP 0/000.290.4304 (u. 1)
9	ISO 7380 TORX T-30 SCREW WITH WASHER M6X16 STAINLESS STEEL 0/000.460.2023 (u. 6)
10	WASHER Ø6XØ18 0/000.440.4304 (u. 1)
11	SILENTBLOCK RADIATORS 0/000.460.4305 (u. 1)
12	HORN CLASS II TYPE DL128J-12V 0/000.420.5011 (u. 1)
13	LAMBDA SENSOR CONNECTOR BRACKET WHITE 0/000.980.4339 (u. 1)
15	COMPLETE FILTER BOX AVENTURA E5+ 0/000.910.4301 (u. 1)
16	AIR FILTER 0/001.070.4301 (u. 1)

17	CLAMP INLET PIPE CENTURY v.2 0/000.680.4022 (u. 1)
18	INTAKE PIPE AVENTURA 125 E5+ (WITH O-RING) 0/000.360.4321 (u. 1)
19	SCREW DIN 6921 M6x10 0/000.460.6203 (u. 3)
20	CLAMP COBRA Ø20/8 W4 0/000.680.0566 (u. 1)
21	RADIATOR THERMOSTAT 0/001.010.4304 (u. 1)
22	RADIATOR CAP 0/000.410.4303 (u. 1)
23	CLIP YL26,RUBBER PLUG,REAR CARRIER 0/000.680.4310 (u. 4)
24	CLAMP CLIP YL27 0/000.680.4313 (u. 1)

17	SOPORTE VALVULA CANISTER AVENTURA 125i E5+ 0/000.980.4346 (u. 1)
18	TUBO L DRAIN CANISTER MRT v.2 0/000.290.5093 (u. 1)
19	CANISTER TUBE TO INJECTION BODY MRT 125 LC E5 0/000.290.6026 (u. 1)
20	NBR TUBE Ø5.5xØ9.5-Ø8xØ4x500 FUEL CAP TO CANISTER 0/000.290.5091 (u. 1)
21	GAS TANK TUBE TO FUEL FILTER 0/000.290.4301 (u. 1)
22	FUEL FILTER TO INJECTOR RUBBER PIPE E5+ 0/000.290.4316 (u. 1)
23	EXHAUST PIPE AVENTURA 125 E5+ 0/000.290.4315 (u. 1)
24	MUFFLER WITH PROTECTOR 0/000.870.4301 (u. 1)
25	GRAPHITE DOLLA 28.5 X 34.5 X 34.5 0/000.260.8011 (u. 1)
26	STAINLESS STEEL SILENCER-MUFFLER CLAMP 37-40 W2 0/000.680.8003 (u. 1)
27	MUFFLER GUARD AVENTURA 125 E5+ 0/000.220.4313 (u. 1)
28	EXHAUST GASKET AVENTURA 125 E5+ 0/000.490.4301 (u. 1)
29	DIN 6921 BOLT M8x25 GRADE 8.8 ZINC/WHITE 0/000.460.0670 (u. 1)
30	SCREW DIN 6921 M8x15 Cal.8.8 Z/WHITE 0/000.460.0651 (u. 1)
31	NUT DIN 6927 M8 GRADE 8 Z/WHITE 0/000.340.0188 (u. 2)
32	OXYGEN SENSOR CENTURY v2 125i EURO5 2020 0/001.010.4003 (u. 1)
33	INNER FAIRING SUPPORT RH 0/000.980.4309 (u. 1)
34	INNER FAIRING BRACKET LH 0/000.980.4308 (u. 1)
35	SCREW DIN 6921 M6x10 0/000.460.6203 (u. 4)
36	PLASTIC FIXING RUBBER 0/000.360.4311 (u. 4)
37	SCREW ISO 7380 Torx T-25 with washer M5x16 STAINLESS STEEL 0/000.460.0083 (u. 1)
38	SCREW ISO 7380 TORX T-30 WITH WASHER M6X20 STAINLESS STEEL 0/000.460.3031 (u. 3)
39	QUICK NUT TRT M6 GEOMET 0/000.340.5101 (u. 3)
40	THERMAL GASKET D6XD17X3MM 0/000.360.2007 (u. 6)
41	LAMBDA SENSOR 2 AVENTURA 125 E5+ 0/001.010.4306 (u. 1)
42	THROTTLE BODY AVENTURA 125 E5+ 0/005.158.4301 (u. 1)

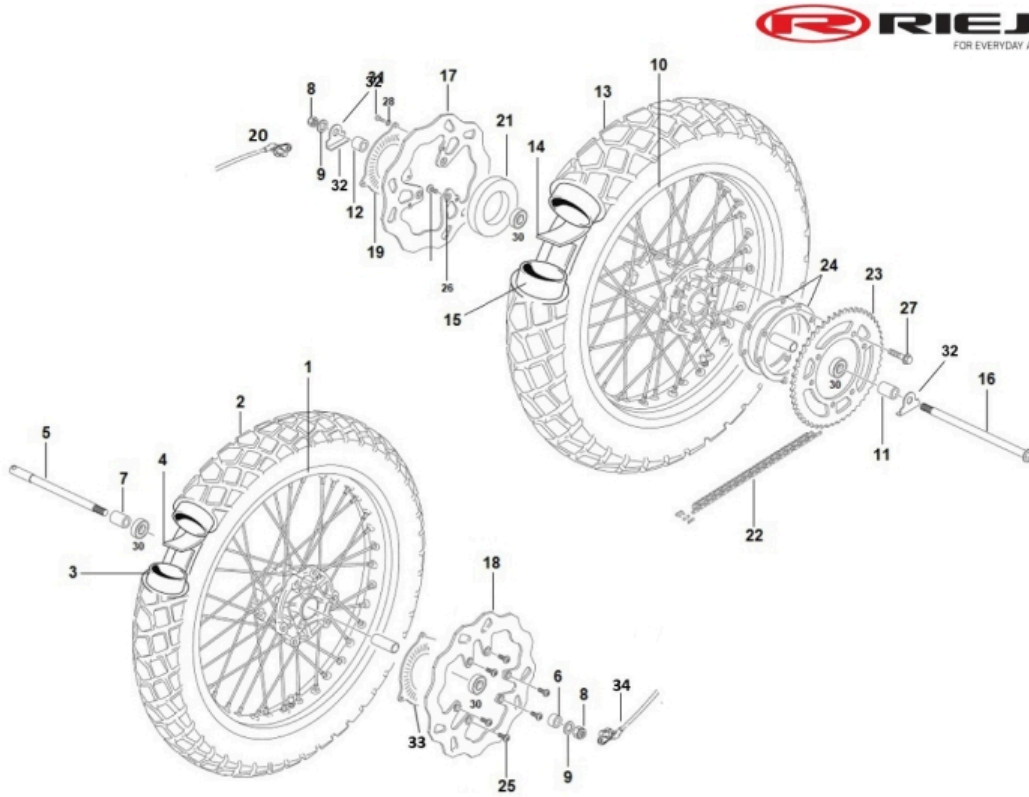
SUSPENSIÓN



1	SUSPENSION ARM RH BLACK 0/000.640.4301 (u. 1)
2	SUSPENSION ARM LH BLACK 0/000.640.4302 (u. 1)
3	SEPARADOR Ø25x7,375x7 Z/NEGRO 0/000.480.4310 (u. 1)
4	DOUBLE CLAMP T50R WITH 90° ROTARY COUPLER 0/000.680.0082 (u. 1)
5	UPPER PLATE AVENTURA 0/000.660.4301 (u. 1)
6	LOWER TRIPLE CLAMP WITH STEM 0/000.660.4302 (u. 1)
7	UPPER STEERING NUT 0/000.340.4302 (u. 1)
8	UPPER STEERING WASHER 0/000.440.4305 (u. 1)
9	UPPER DUST COVER 0/000.200.4301 (u. 1)
10	LOWER DUST COVER 0/000.200.4302 (u. 1)
11	HANDLEBAR CLAMP 0/000.350.4301 (u. 1)
12	STEERING BEARING MOD/PT101 0/000.960.0200 (u. 1)
13	MUELLE PASACABLES HORQUILLA 0/000.470.4303 (u. 2)
14	CLAMP RSGU1 8/15 0/000.680.0302 (u. 1)
15	CLAMP RSGU1 12/15 0/000.680.0301 (u. 1)

16	FRONT RH FENDER BRACKET PAINTED BLACK 0/000.980.4313 (u. 1)
17	REAR LEFT SUPPORT FRONT FENDER 0/000.980.4335 (u. 1)
18	FRONT LH FENDER BRACKET PAINTED BLACK 0/000.980.4314 (u. 1)
19	REAR RH SUPPORT FRONT FENDER. 0/000.980.4334 (u. 1)
20	SCREW DIN 912 ALLEN M8X30 GRADE 8.8 ZINC/WHITE 0/000.460.0346 (u. 6)
21	SCREW ISO 7380 TORX T-30 WITH WASHER M6X20 STAINLESS STEEL 0/000.460.3031 (u. 2)
22	NUT DIN 6926 M6 GRADE 8 Z/WHITE 0/000.340.0170 (u. 2)
23	SCREW DIN 6921 M10x50 PITCH 125 GRADE 8.8 Z/WHITE 0/000.460.0112 (u. 1)
24	FLAT WASHER DIN 125/A M10 Z/WHITE 0/000.440.0110 (u. 2)
25	SEPARADOR Ø25x7,375x7 Z/NEGRO 0/000.480.4310 (u. 2)
26	ISO 7380 TORX T-30 SCREW WITH WASHER M6X16 STAINLESS STEEL 0/000.460.2023 (u. 4)
27	SCREW ISO 7380-2 Torx T-40 with washer M8x15 STAINLESS STEEL 0/000.460.0067 (u. 2)
28	FORK SEAL 0/000.300.4302 (u. 2)
29	FORK DUST COVER 0/000.200.4303 (u. 2)

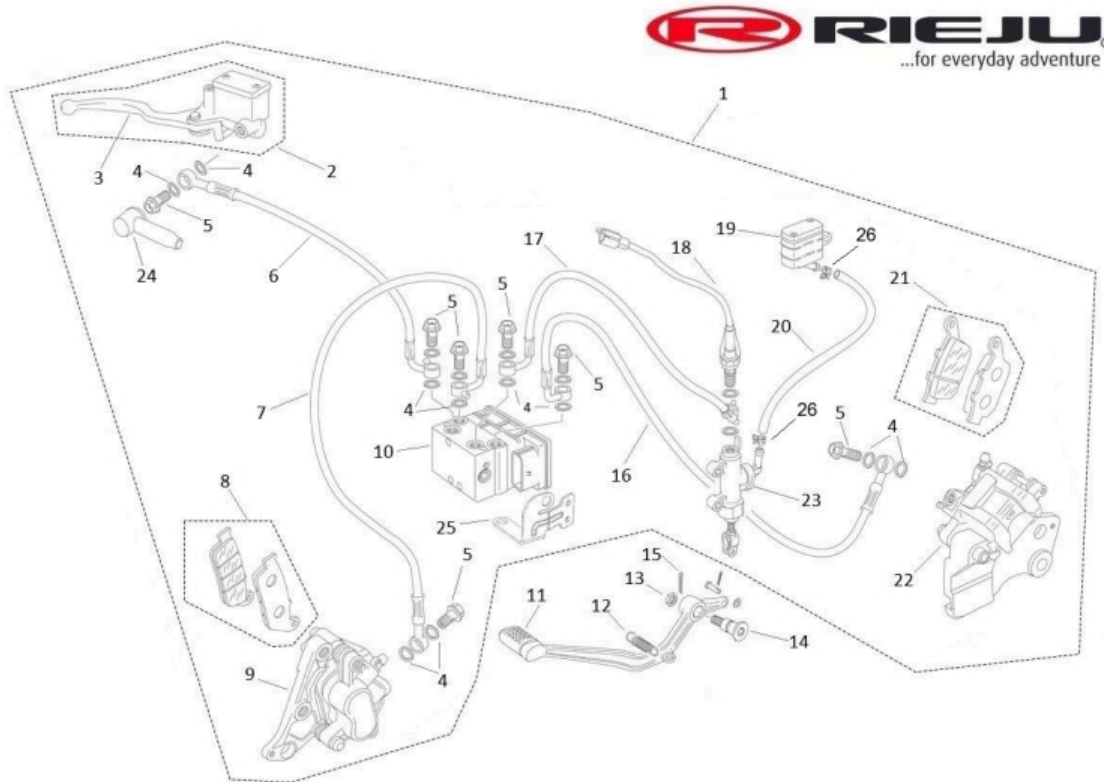
WHEELS



1	FRONT WHEEL 18" x 2.15 CENTURY V.2 (RIM, SPOKES, AND HUB) 0/000.110.4000 (u. 1)
2	FRONT TIRE 100/90-18 GREEN E4 CM617 56P 0/000.510.4000 (u. 1)
3	FRONT INNER TUBE CENTURY 3.00/3.25-18 TR4 0/000.520.4000 (u. 1)
4	TUBE GUARD 18" 0/000.220.4010 (u. 1)
5	FRONT WHEEL AXLE AVENTURA 0/000.190.4300 (u. 1)
6	SPACER Ø25x5x11.5 Z/WHITE 0/000.480.4302 (u. 1)
7	SEPARADOR Ø25x5x37 Z/BLANCO 0/000.480.4303 (u. 1)
8	NUT DIN 985 M14 PITCH 150 GRADE 10 Z/WHITE 0/000.340.0186 (u. 1)
9	FLAT WASHER DIN 125/A M14 Z/WHITE 0/000.440.0123 (u. 1)
10	REAR WHEEL WITH SPOKES AVENTURA 125 0/000.120.4300 (u. 1)
11	SEPARATOR Ø25x5x35 Z/WHITE 0/000.480.4304 (u. 1)
12	SEPARADOR Ø25x5x24 Z/BLANCO 0/000.480.4309 (u. 1)
13	REAR TIRE 130/80-17 0/000.510.4001 (u. 1)
14	CAMERA PROTECTOR 17" 0/000.220.4011 (u. 1)
15	REAR TUBE 120/130/90-17 TR4 0/000.520.4001 (u. 1)

16	REAR WHEEL AXLE 0/000.190.4301 (u. 1)
17	REAR WAVE DISC BRAKE Ø240 mm V2 0/001.090.4301 (u. 1)
18	FRONT BRAKE DISK AVENTURA 125 E5+ 0/001.090.4304 (u. 1)
19	REAR SPEED SENSOR DISK AVENTURA E5+ 0/001.090.4303 (u. 1)
20	REAR SPEED SENSOR AVENTURA 125 E5+ 0/001.010.4308 (u. 1)
21	REAR DISC BRAKE SPACER 0/000.480.4312 (u. 1)
22	COMPLETE CHAIN 428 RXP 136 LINKS 0/001.050.6010 (u. 1)
23	STEEL REAR SPROCKET Z51 e=7 CHAIN 428 (1/2" x 5/16" R8.51) 0/000.500.4001 (u. 1)
24	SPROCKET SPACER 0/000.480.4311 (u. 1)
25	SCREW WITH CENTERING TORX T-30 M6x16 GRADE 10.9 ZINC/WHITE 0/000.460.5001 (u. 1)
26	SEPARADOR Ø10x0,875x10 Z/BLANCO 0/000.480.4316 (u. 1)
27	SCREW DIN 6921 M8X35 GRADE 8.8 Z/WHITE 0/000.460.0672 (u. 6)
28	SCHNORR WASHER M6 STAINLESS STEEL 0/000.440.0042 (u. 1)
29	SCREW DIN 7991 Allen M8x40 Grade 10.9 Z/WHITE 0/000.460.0850 (u. 1)
30	BEARING 6202NSE.C3 RS1/QE2 C3 0/000.960.0050 (u. 4)
31	SCREW ISO 7380 ALLEN M6x10 GRADE 10.9 Z/WHITE 0/000.460.1186 (u. 3)
32	REAR AXLE GUIDE SUPPORT 0/000.980.4343 (u. 2)
33	FRONT SPEED SENSOR DISK 0/001.090.4302 (u. 1)
34	FRONT SPEED SENSOR AVENTURA 125 E5+ 0/001.010.4307 (u. 1)

BRAKES



1	ABS BREAK SYSTEM AVENTURA 125 E5+ 0/000.820.4304 (u. 1)
2	FRONT BRAKE PUMP WITH LEVER AVENTURA 125 E5+ 0/000.820.4306 (u. 1)
4	BRAKE JOINT WASHER 0/000.440.7002 (u. 13)
6	BRAKE HOSE 1 FROM ABS AVENTURA 125 E5+ 0/000.290.4320 (u. 1)
7	LATIQUILLO 2 DEL ABS AVENTURA 125 E5+ 0/000.290.4321 (u. 1)
8	FRONT BRAKE PADS AVENTURA 125 E5+ 0/000.930.4303 (u. 1)
9	ABS BRAKE CALIPER AVENTURA 125 E5+ 0/000.860.4304 (u. 1)
10	ABS UNIT AVENTURA 125 E5+ 0/000.820.4305 (u. 1)
11	BRAKE LEVER 0/000.730.4300 (u. 1)
12	SPRING REAR BRAKE LEVER 0/000.470.4300 (u. 1)
13	NUT M10x1.25 0/000.340.4303 (u. 1)
14	BRAKE LEVER AXLE 0/000.190.4303 (u. 1)
15	BRAKE LEVER PIN 0/000.840.4301 (u. 1)
16	BRAKE HOSE 2 REAR ABS AVENTURA 125 E5+ 0/000.290.4319 (u. 1)
17	REAR BRAKE HOSE 1 ABS AVENTURA 125 E5+ 0/000.290.4318 (u. 1)

18	REAR BRAKE SWITCH 0/000.720.4305 (u. 1)
19	REAR BRAKE FLUID RESERVOIR 0/000.030.4302 (u. 1)
20	REAR TANK PIPE TO REAR PUMP 0/000.290.4314 (u. 1)
21	REAR BRAKE PADS AVENTURA 125 E5+ 0/000.930.4304 (u. 1)
22	REAR ABS BRAKE CALIPER AVENTURA 125 E5+ 0/000.860.4303 (u. 1)
23	REAR BRAKE PUMP AVENTURA 125 E5+ 0/000.820.4307 (u. 1)
25	ABS UNIT BRACKET AVENTURA E5+ 0/000.980.4345 (u. 1)
26	SPRING CLAMP Ø12.5 0/000.680.4016 (u. 2)

DECALS



1

AVENTURA 125 2025 STICKER KIT
0/000.390.4307 (u. 1)

ACCESSORIES



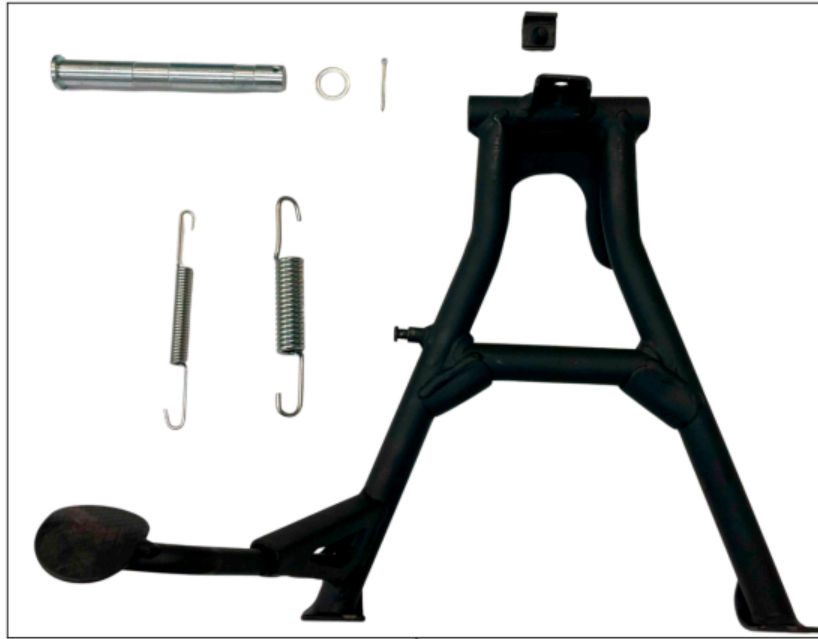
KIT CJTO PARA MANOS AVENTURA 125 NEGROS
0/K00.770.4301 (u. 1)

Obsoleto

1

SET OF BLACK HANDGUARDS AVENTURA 125
0/000.770.4301 (u. 1)

ACCESSORIES 2



1

1

CENTRAL STAND KIT AVENTURA 125
0/K00.210.4302 (u. 1)

KIT MALETAS

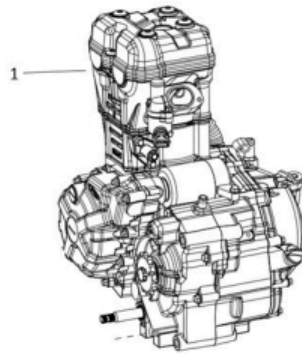


1 SIDE CASE KIT AVENTURA
0/K00.980.4302 (u. 1)

2 TOP CASE KIT AVENTURA
0/K00.980.4301 (u. 1)

3 SH48L TOP CASE + BRACKET FOR AVENTURA 125
0/K01.800.4301 (u. 1)

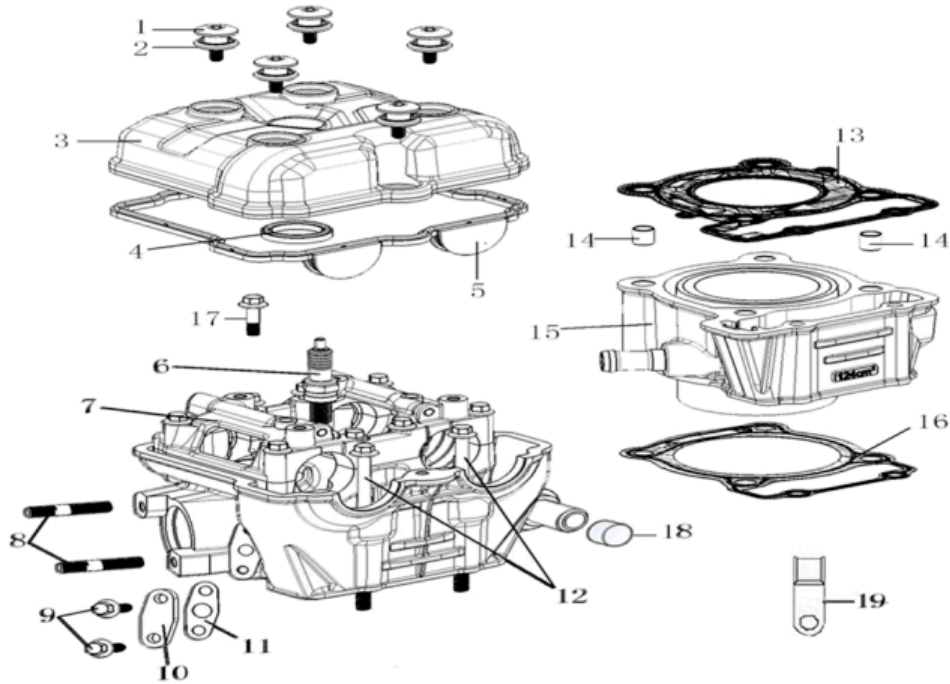
MOTOR COMPLETO



1 AVENTURA ENGINE 125i E5+
0/005.082.4301 (u. 1)

MOTOR AVENTURA 125 E5+

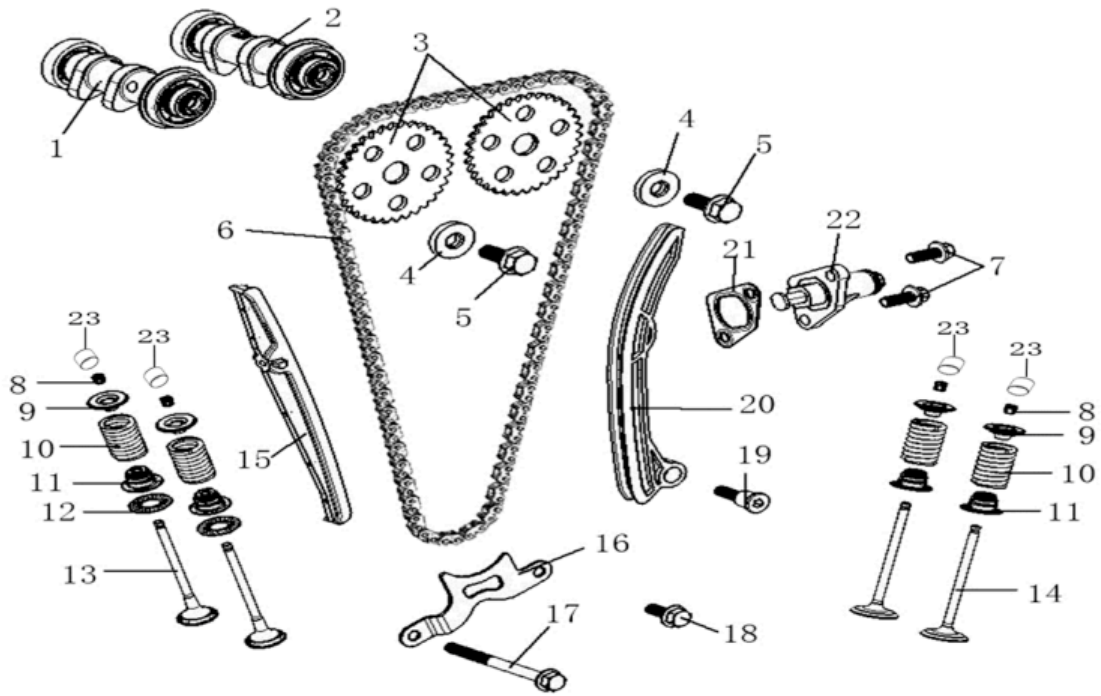
CYLINDER HEAD & CYLINDER



1	SCREW M6 0/228.001.0001 (u. 5)
2	WASHER 0/228.001.0002 (u. 5)
4	SPARK PLUG SEAT GASKET 0/228.001.0004 (u. 1)
5	CYLINDER HEAD COVER GASKET 0/228.001.0005 (u. 1)
6	SPARK PLUG 0/228.001.0006 (u. 1)
7	CYLINDER HEAD 0/228.001.0007 (u. 1)
8	EXHAUST MANIFOLD MOUNTING STUD 0/006.128.0003 (u. 2)
9	SCREW SENSOR TEMPERATURE AND PRESSURE M6x16 0/000.460.0093 (u. 2)
10	COVER 0/228.001.0010 (u. 1)
11	PAPER GASKET 0/228.001.0011 (u. 1)
12	STUD M6 X 120 0/228.001.0012 (u. 2)
13	CYLINDER HEAD GASKET 0/228.001.0013 (u. 1)
14	PIN D10 X 14 0/228.001.0014 (u. 2)
15	CYLINDER HEAD NKD 125 0/228.001.0019 (u. 1)
16	ENGINE BLOCK GASKET 0/228.001.0016 (u. 1)
17	BOLT M6x35 0/006.126.0052 (u. 8)

18	DUST COVER 0/228.001.0018 (u. 1)
19	CLIP ELECTRICAL INSTALLATION 0/006.128.0010 (u. 1)

DISTRIBUCION Y VALVULAS

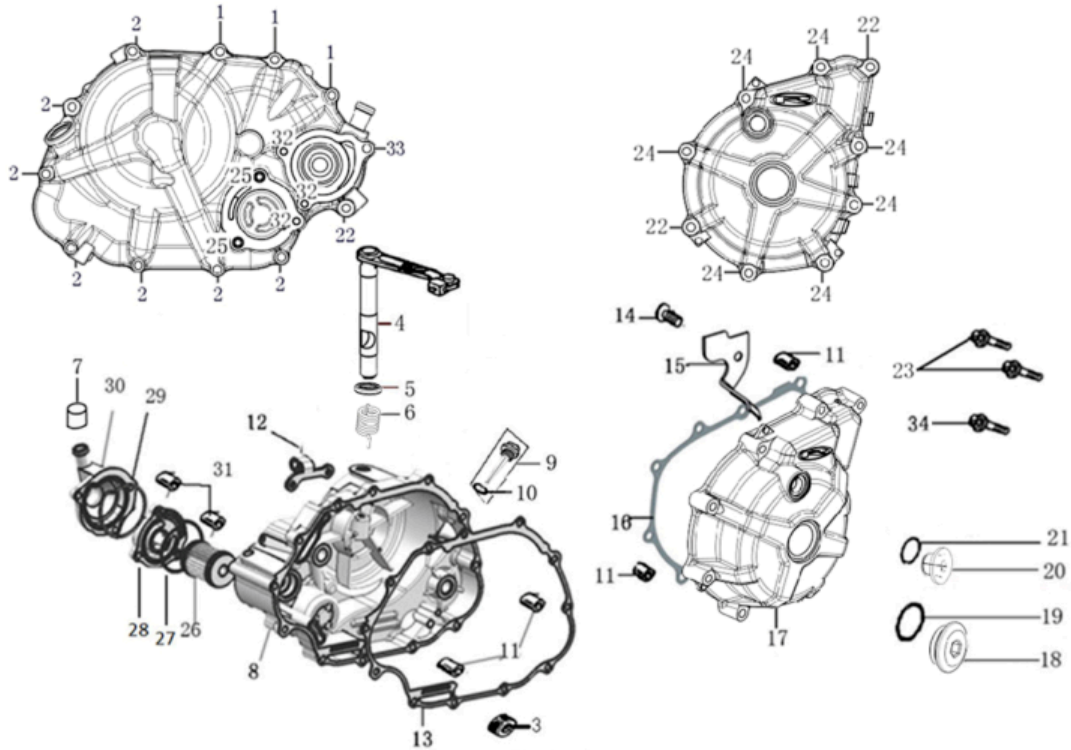


1	CAMSHAFT ASSEMBLY 0/228.002.0001 (u. 1)
2	CAMSHAFT ASSEMBLY 0/228.002.0002 (u. 1)
3	TIMING GEARS 0/228.002.0003 (u. 2)
4	WASHER D8.25 X 4 X D23 0/228.002.0004 (u. 2)
5	BOLT, M8 X 1 X 20 0/228.002.0005 (u. 2)
6	TIMING CHAIN 0/228.002.0006 (u. 1)
7	SCREW SENSOR TEMPERATURE AND PRESSURE M6x16 0/000.460.0093 (u. 2)
8	VALVE INSURANCE 0/228.002.0008 (u. 8)
9	VALVE HEAD SEAT 0/228.002.0009 (u. 4)
10	VALVE SPRING 0/228.002.0010 (u. 4)
11	VALVE SPRING SEAT 0/228.002.0011 (u. 4)
12	WASHER D9.2 X 0.5 X D20 0/228.002.0012 (u. 2)
13	EXHAUST VALVE 0/228.002.0013 (u. 2)
14	VALVULA ADMISION NKD 125 0/228.002.0024 (u. 2)
15	TIMING CHAIN GUIDE 0/228.002.0015 (u. 1)
16	CHAIN PROTECTOR 0/228.002.0016 (u. 1)

17	BOLT M6×70 0/006.128.0019 (u. 1)
18	BOLT M6×16 0/006.126.0033 (u. 1)
19	BOLT 0/228.002.0019 (u. 1)
20	TIMING CHAIN TENSIONER GUIDE 0/228.002.0020 (u. 1)
21	DISTRIBUTION CHAIN TENSIONER GASKET 0/228.002.0021 (u. 1)
22	TIMING CHAIN TENSIONER 0/228.002.0022 (u. 1)

	VALVE TAPPETS 225 0/006.127.0206 (u. 1)
	VALVE TAPPETS 700 0/006.127.0225 (u. 1)
	VALVE TAPPETS 200 0/006.127.0205 (u. 1)
	VALVE TAPPETS 725 0/006.127.0226 (u. 1)
	VALVE TAPPETS 500 0/006.127.0217 (u. 1)
	VALVE TAPPETS 375 0/006.127.0212 (u. 1)
	VALVE TAPPETS 250 0/006.127.0207 (u. 1)
	VALVE TAPPETS 625 0/006.127.0222 (u. 1)
	VALVE TAPPETS 575 0/006.127.0220 (u. 1)
	VALVE TAPPETS 650 0/006.127.0223 (u. 1)
	VALVE TAPPETS 550 0/006.127.0219 (u. 1)
23	VALVE TAPPETS 750 0/006.127.0227 (u. 1)
	VALVE TAPPETS 300 0/006.127.0209 (u. 1)
	VALVE TAPPETS 450 0/006.127.0215 (u. 1)
	VALVE TAPPETS 425 0/006.127.0214 (u. 1)
	VALVE TAPPETS 525 0/006.127.0218 (u. 1)
	VALVE TAPPETS 675 0/006.127.0224 (u. 1)
	VALVE TAPPETS 325 0/006.127.0210 (u. 1)
	VALVE TAPPETS 350 0/006.127.0211 (u. 1)
	VALVE TAPPETS 475 0/006.127.0216 (u. 1)
	VALVE TAPPETS 400 0/006.127.0213 (u. 1)
	VALVE TAPPETS 600 0/006.127.0221 (u. 1)
	VALVE TAPPETS 275 0/006.127.0208 (u. 1)

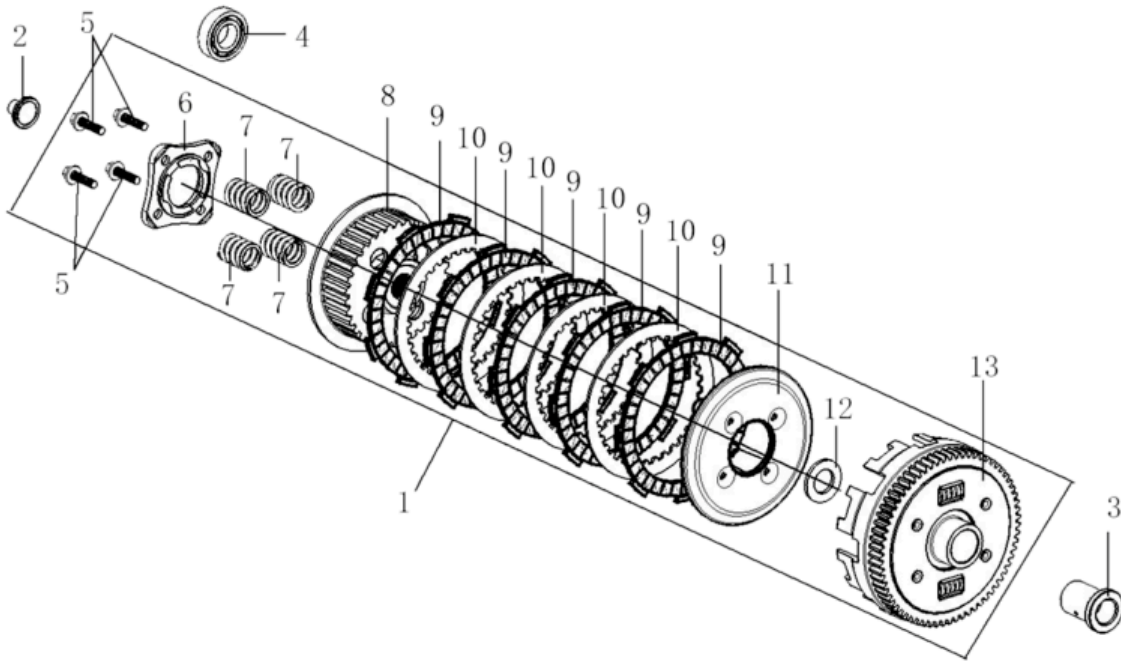
CUBIERTA EMBRAGUE



1	BOLT M6×30 0/006.128.0036 (u. 3)
2	BOLT M6×40 0/006.128.0037 (u. 6)
3	OIL SEAL 12×12×7 0/228.003.0003 (u. 1)
4	CLUTCH CONTROL ARM 0/228.003.0004 (u. 1)
5	OIL SEAL 12×18×5 0/228.003.0005 (u. 1)
6	CLUTCH CONTROL ARM SPRING 0/228.003.0006 (u. 1)
7	DUST COVER 0/228.003.0007 (u. 1)
8	CRANKCASE COVER 0/228.003.0008 (u. 1)
9	OIL LEVEL ROD 0/006.126.0061 (u. 1)
10	O-RING Ø18×3 0/006.128.0042 (u. 1)
11	CENTERING BUSHING 0/006.126.0022 (u. 4)
12	CLUTCH CABLE HOLDER 0/228.003.0012 (u. 1)
13	GASKET RIGHT CRANKCASE COVER 0/006.128.0101 (u. 1)
14	SCREW M6 X 10 0/228.003.0014 (u. 1)
15	CABLE FIXING BRACKET, STATOR 0/006.126.0066 (u. 1)

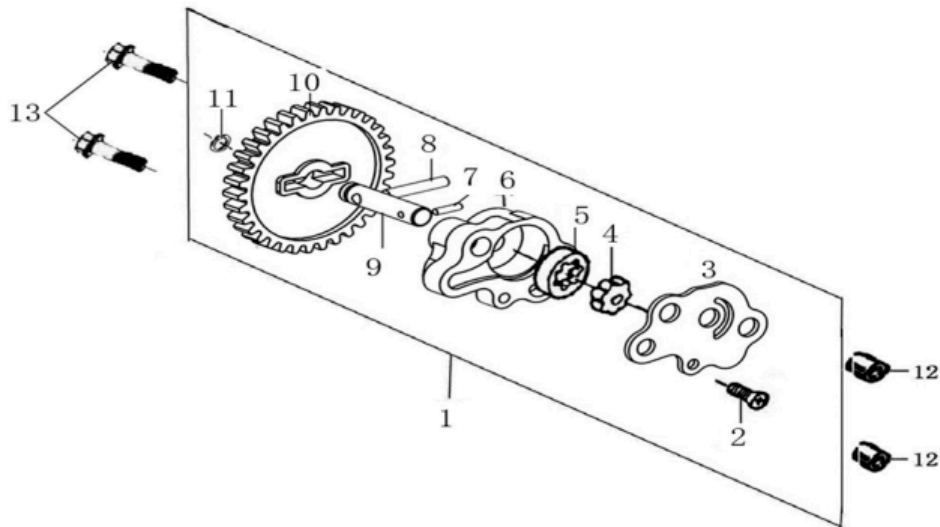
16	LEFT CRANKCASE COVER GASKET 0/006.128.0102 (u. 1)
17	CRANKSHAFT COVER 0/228.003.0017 (u. 1)
18	CAP BIG IGNITION COVER CENTURY v.2 0/000.410.4009 (u. 1)
19	OIL PLUG GASKET ø27.4x2.65 0/006.126.0070 (u. 1)
20	SMALL IGNITION COVER CAP CENTURY v.2 0/000.410.4008 (u. 1)
21	O-RING D13.2 X 2.65 0/228.003.0021 (u. 1)
22	HEX BOLT M6x45 HEAD 8 0/006.128.0047 (u. 3)
23	BOLT M6x30 0/006.128.0036 (u. 2)
24	BOLT M6x35 0/006.126.0052 (u. 7)
25	BOLT M6x22 0/006.128.0024 (u. 2)
26	OIL FILTER CENTURY V2 0/228.003.0026 (u. 1)
27	GASKET 0/228.003.0027 (u. 1)
28	OIL FILTER COVER 0/228.003.0028 (u. 1)
29	GASKET 0/228.003.0029 (u. 1)
30	WATER PUMP COVER 0/006.129.0001 (u. 1)
31	PIN D8 X 8 0/228.003.0031 (u. 2)
32	BOLT M6x20 0/006.128.0018 (u. 3)
33	BOLT M6 X 70 0/228.003.0033 (u. 1)
34	HEX BOLT M6x45 HEAD 8 0/006.128.0047 (u. 1)

EMBRAGUE



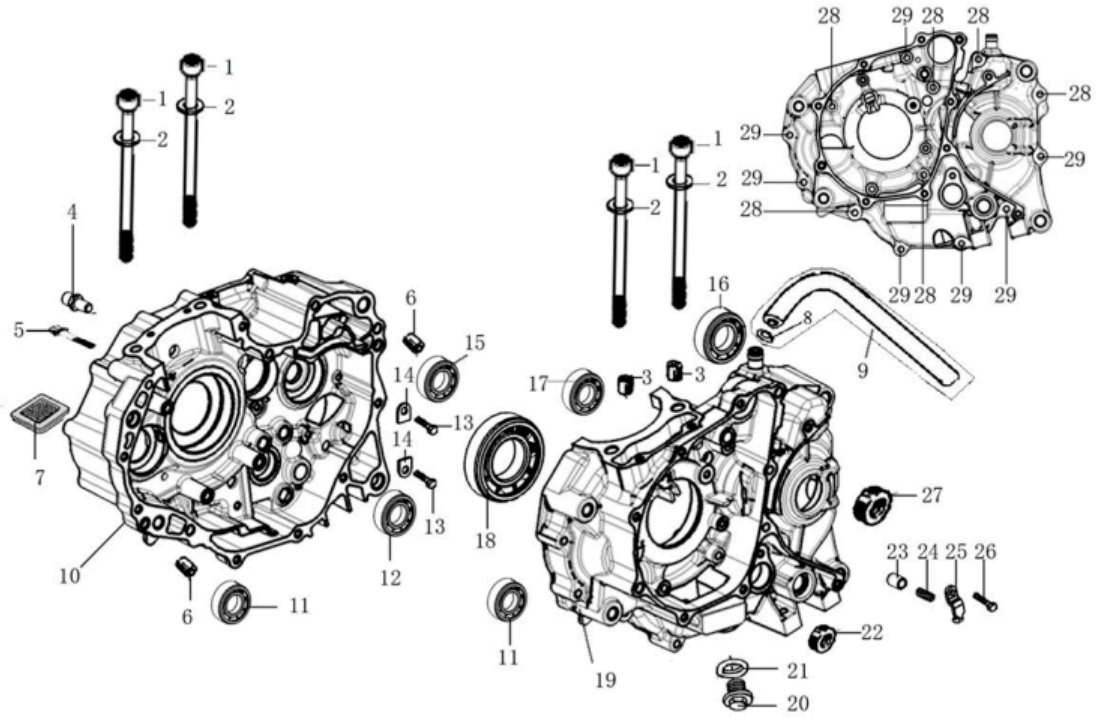
1	COMPLETE CLUTCH 0/006.126.0040 (u. 1)
2	CLUTCH GUIDE BUSHING 0/006.126.0041 (u. 1)
3	INNER BUSHING, CLUTCH BELL 0/006.126.0043 (u. 1)
4	BEARING (6003 C3) 0/228.004.0004 (u. 1)
5	BOLT M6x22 0/006.128.0024 (u. 4)
6	CLUTCH END COVER 0/006.128.0025 (u. 1)
7	CLUTCH SPRING 0/006.128.0026 (u. 4)
8	CLUTCH HUB 0/006.128.0027 (u. 1)
9	CLUTCH FRICTION DISK 0/006.128.0028 (u. 5)
10	METALLIC CLUTCH DISC 0/006.128.0029 (u. 4)
11	PRESSURE PLATE 0/006.128.0030 (u. 1)
12	WASHER 0/006.128.0031 (u. 1)
13	CLUTCH BELL 0/006.128.0032 (u. 1)

OIL PUMP



1	OIL PUMP ASSEMBLY 0/006.126.0051 (u. 1)
2	SCREW M4x8 0/006.128.0059 (u. 1)
3	OIL PUMP COVER 0/006.128.0060 (u. 1)
4	INNER ROTOR OIL PUMP 0/006.128.0061 (u. 1)
5	OUTER ROTOR OIL PUMP 0/006.128.0062 (u. 1)
6	OIL PUMP HOUSING 0/006.128.0063 (u. 1)
7	PIN Ø2.5 0/006.128.0064 (u. 1)
8	PIN Ø4 0/006.128.0065 (u. 1)
9	OIL PUMP SHAFT 0/006.128.0066 (u. 1)
10	OIL PUMP PINION 0/006.128.0067 (u. 1)
11	RETAINING RING 0/006.128.0068 (u. 1)
12	CENTERING BUSHING 0/006.126.0022 (u. 2)
13	BOLT M6x35 0/006.126.0052 (u. 2)

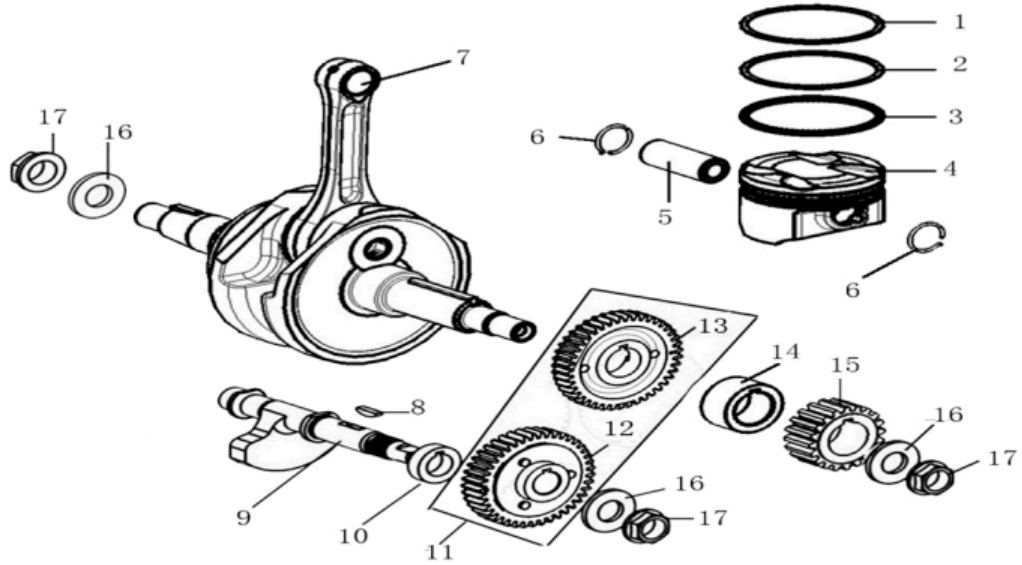
CUBIERTA MOTOR



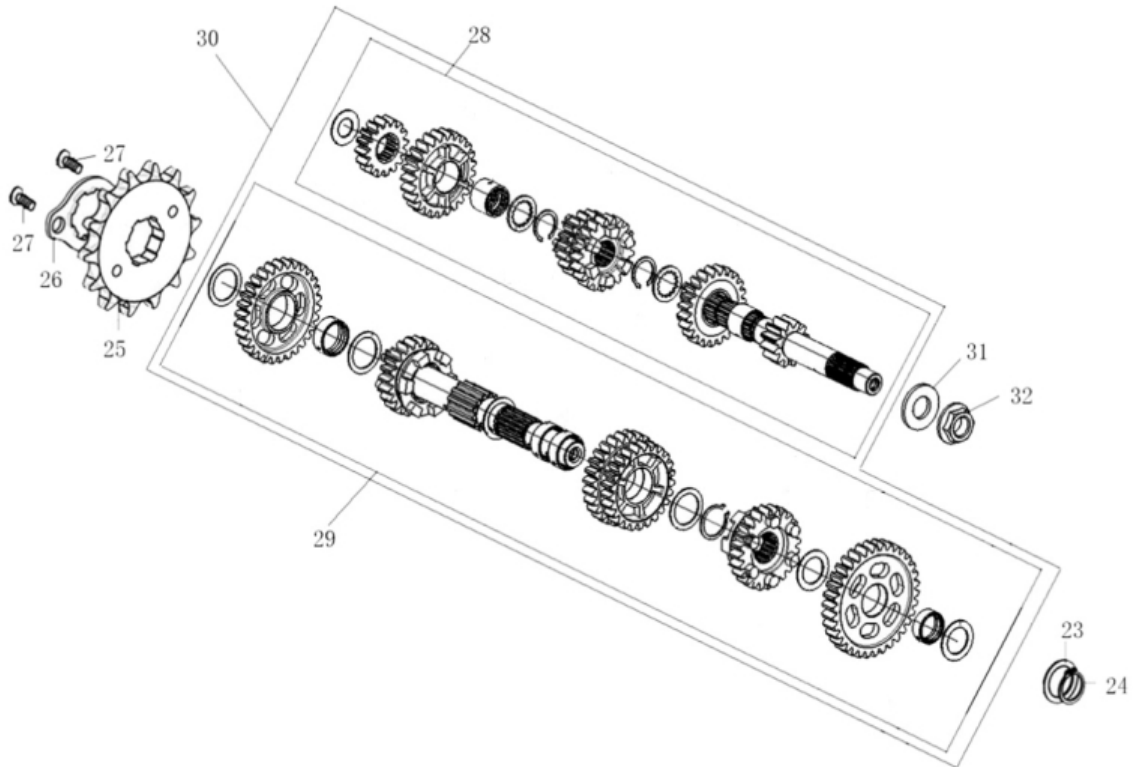
1	CYLINDER STUD BOLT 0/228.006.0001 (u. 4)	
2	WASHER, D8.5 X 1.5 X D16 0/228.006.0002 (u. 4)	
3	PIN D10 X 14 0/228.001.0014 (u. 2)	
4	BOLT M8x30 0/006.126.0080 (u. 1)	
5	SCREW M6 X 60 0/228.006.0005 (u. 1)	
6	CENTERING BUSHING 0/006.126.0022 (u. 2)	
7	OIL FILTER ELEMENT 0/006.126.0082 (u. 1)	
8	CLAMP 0/228.006.0008 (u. 1)	
9	TUBE 0/228.006.0009 (u. 1)	Obsolete
10	RIGHT CRANKSHAFT BLOCK 0/228.006.0010 (u. 1)	
11	BEARING 6302 0/228.006.0011 (u. 2)	
12	BEARING 6203_C3 0/228.006.0012 (u. 1)	
13	BOLT M6x16 0/006.126.0033 (u. 2)	
14	PRESSURE PLATE 0/006.126.0089 (u. 2)	
15	BEARING (6303X3-RS) 0/006.126.0090 (u. 1)	
16	BEARING 6204 0/228.006.0016 (u. 1)	

17	TRANSMISSION BEARING 6201 C3 0/006.052.0064 (u. 1)	
	BEARING (6201RS) 0/006.126.0092 (u. 1)	
18	BeaRing,(63/28_X2H) 0/228.006.0018 (u. 1)	Obsolete
19	LEFT CRANKSHAFT BLOCK 0/228.006.0019 (u. 1)	
20	OIL DRAIN PLUG 0/228.006.0020 (u. 1)	
21	WASHER $\phi 12.4 \times 2 \times \phi 20$ 0/006.126.0096 (u. 1)	
22	OIL SEAL 14 X 22 X 5 0/228.006.0022 (u. 1)	
23	PRESSURE PLATE 0/006.126.0098 (u. 1)	
24	PRESSURE PLATE 0/006.126.0099 (u. 1)	
25	PRESSURE PLATE 0/006.126.0100 (u. 1)	
26	SCREW SENSOR TEMPERATURE AND PRESSURE M6x16 0/000.460.0093 (u. 1)	
27	OIL SEAL 20 X 34 X 7 0/228.006.0027 (u. 1)	
28	BOLT M6x70 0/006.128.0019 (u. 6)	
29	BOLT M6x40 0/006.128.0053 (u. 7)	

CIGÜEÑAL Y PISTON

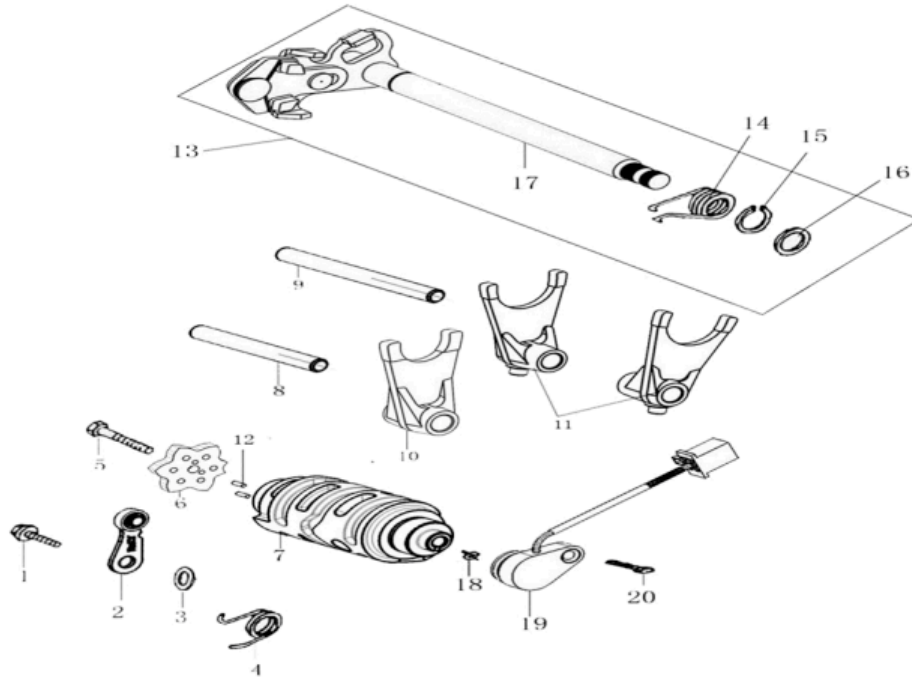


1	PISTON RING 1 0/228.007.0001 (u. 1)
2	PISTON RING 2 0/228.007.0002 (u. 1)
3	OIL RING ASSEMBLY 0/228.007.0003 (u. 1)
4	PISTON NKD 125 0/228.007.0015 (u. 1)
5	PISTON PIN 0/228.007.0005 (u. 1)
6	PISTON PIN RING 0/228.007.0006 (u. 2)
7	CRANKSHAFT CONNECTING-ROD SET 0/228.007.0007 (u. 1)
8	BALANCE SHAFT KEY 0/006.126.0109 (u. 1)
9	COUNTERWEIGHT 0/228.007.0009 (u. 1)
10	BALANCE SHAFT SPACER BUSHING 0/006.126.0111 (u. 1)
11	SPROCKET SET 0/228.007.0011 (u. 1)
12	DRIVEN SPROCKET 0/228.007.0012 (u. 1)
13	DRIVEN SPROCKET 0/228.007.0013 (u. 1)
14	CRANKSHAFT BUSHING 0/228.007.0014 (u. 1)
15	PRIMARY SHAFT GEAR 0/006.126.0049 (u. 1)
16	WASHER $\phi 14.5 \times 2.8 \times \phi 29$ 0/006.126.0114 (u. 3)
17	NUT M14x1.25x11 0/006.126.0113 (u. 3)

TRANSMISION


23	WASHER $\phi 17.5 \times 1.2 \times \phi 26$ 0/006.126.0120 (u. 1)
24	CIRCLIP $\phi 17$ 0/006.126.0121 (u. 1)
25	GEAR 0/228.008.0025 (u. 1)
26	GEAR FIXING COVER 0/228.008.0026 (u. 1)
27	BOLT 0/228.008.0027 (u. 2)
28	SET MAIN SHAFT 0/228.008.0028 (u. 1)
29	CONJUNTO EJE SECUNDARIO AVENTURA 125 V2 0/228.008.0032 (u. 1)
30	CONJUNTO TRANSMISION AVENTURA 125 V2 0/228.008.0034 (u. 1)
31	WASHER $\phi 14.5 \times 2.8 \times \phi 29$ 0/006.126.0114 (u. 1)
32	LOCK NUT 0/006.126.0115 (u. 1)

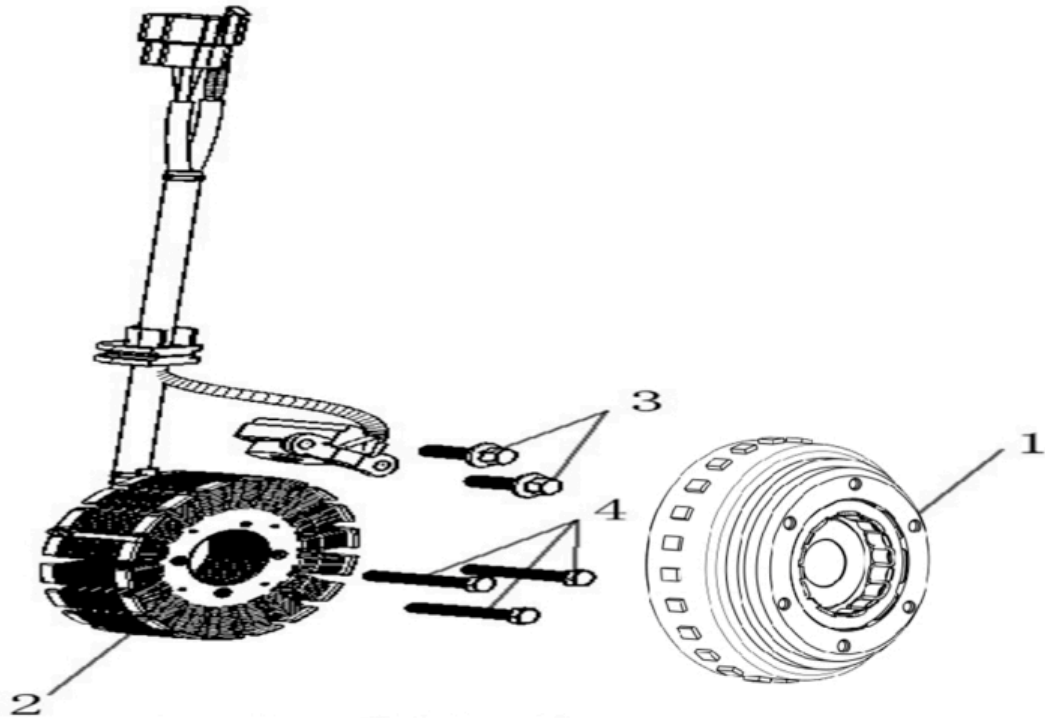
HORQUILLA CAMBIO



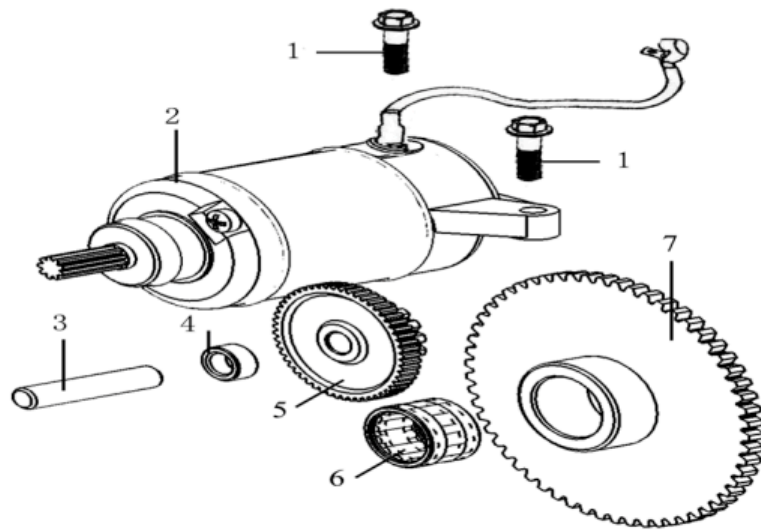
1	BOLT FIXING PLATE NKD 125 0/006.126.0150 (u. 1)
2	PLATE 0/228.009.0002 (u. 1)
3	WASHER $\varnothing 6,2 \times 1 \times \varnothing 14$ 0/006.126.0123 (u. 1)
4	SHIFT LEVER SPRING 0/006.126.0125 (u. 1)
5	BOLT M6x20 0/006.126.0126 (u. 1)
6	PRESELECTOR BASE 0/006.126.0127 (u. 1)
7	GEARSHIFT DRUM 0/228.009.0007 (u. 1)
8	GEARSHIFT FORK SHAFT 0/228.009.0008 (u. 1)
9	GEAR SELECTOR FORK SHAFT 0/228.009.0009 (u. 1)
10	PRIMARY AXLE FORK 0/006.126.0133 (u. 1)
11	HORQUILLA CAMBIO S/SECUNDARIO v2 0/228.008.0037 (u. 2)
12	PIN $\varnothing 3 \times 8,5$ 0/006.126.0137 (u. 2)
13	GEARSHIFT FORK 0/228.009.0013 (u. 1)
14	RETURN SPRING SELECTOR SHAFT 0/006.128.0095 (u. 1)
15	CIRCLIP $\varnothing 14$ 0/006.128.0096 (u. 1)
16	WASHER $\varnothing 14 \times 1 \times \varnothing 21$ 0/006.128.0097 (u. 1)

18	GEAR INDICATOR SWITCH 0/228.009.0018 (u. 1)
19	GEAR INDICATOR SWITCH 0/228.009.0019 (u. 1)
20	SCREW, M6 X 20 0/228.009.0020 (u. 1)

VOLANTE MAGNETICO

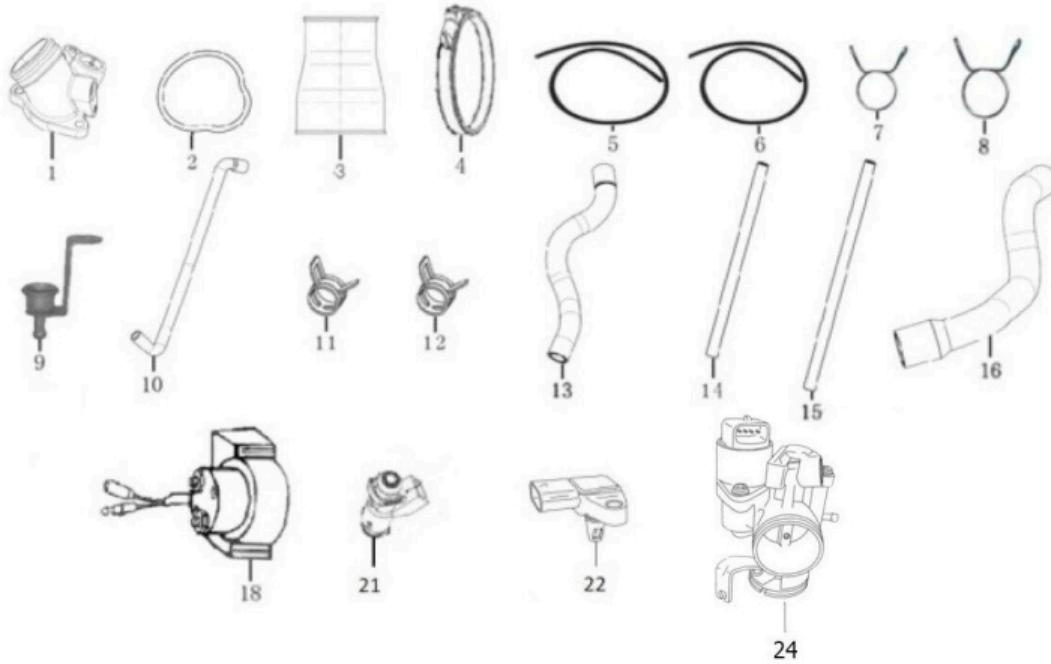


1	ROTOR SET, MAGNETO 0/006.126.0138 (u. 1)
2	STATOR ASSEMBLY, MAGNETO 0/228.010.0002 (u. 1)
3	SCREW SENSOR TEMPERATURE AND PRESSURE M6x16 0/000.460.0093 (u. 2)
4	BOLT M5x30 0/006.126.0141 (u. 3)
5	MAGNETIC FLYWHEEL PULLER CENTURY E5 - MRT 125i LC E5 0/005.050.0801 (u. 1)

MOTOR ARRANQUE


1	BOLT M6×25 0/006.128.0035 (u. 2)
2	STARTING MOTOR ASSY NKD 125 0/228.011.0003 (u. 1)
3	STARTER PINION SHAFT 0/006.126.0144 (u. 1)
4	STARTER SHAFT BUSHING 0/006.126.0145 (u. 1)
5	STARTER PINION, SMALL 0/006.126.0146 (u. 1)
6	NEEDLE BEARING (K22×29×17) 0/006.126.0147 (u. 1)
7	STARTER GEAR LARGE 0/006.126.0148 (u. 1)

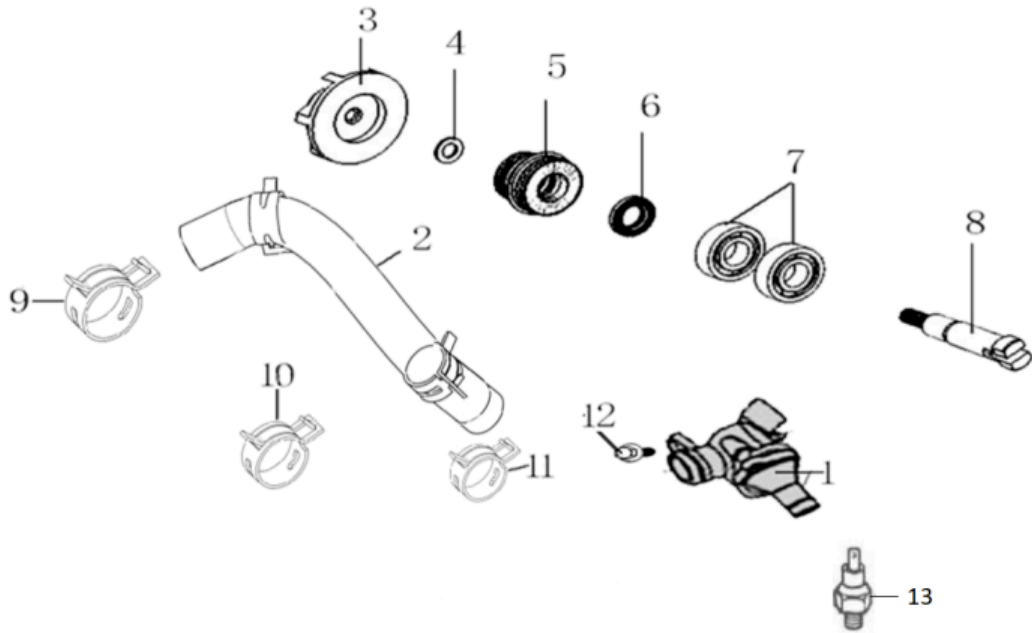
OTHER ENGINE SPARE PARTS



1	INTAKE PIPE AVENTURA 125 E5+ (WITH O-RING) 0/000.360.4321 (u. 1)
2	O-RING INTAKE-INJECTION PIPE AVENTURA E5+ 0/000.490.4005 (u. 1)
3	ADMISSION-INJECTION RUBBER PIPE CENTURY 0/000.360.4016 (u. 1)
4	CLAMP INLET PIPE CENTURY v.2 0/000.680.4022 (u. 1)
5	NBR-NVC COPOLAN PIPE Ø4 x Ø8 x 270 0/000.290.4035 (u. 1)
6	COPOLAN-NBR-NVC PIPE Ø6 x Ø10 x 850 0/000.290.4036 (u. 1)
7	CLIP SPRING Ø9.5 0/000.680.4021 (u. 1)
8	CLIP SPRING Ø7.5 0/000.680.4020 (u. 1)
9	FUEL PIPE INJECTOR BRACKET 0/000.980.4229 (u. 1)
10	ENGINE VAPOR TUBE TO FILTER BOX 0/000.290.4030 (u. 1)
11	SPRING CLAMP Ø12.5 0/000.680.4016 (u. 1)
12	SPRING CLAMP Ø15 0/000.680.4015 (u. 1)
13	RADIATOR TO CYLINDER HEAD PIPE 0/000.290.4028 (u. 1)
14	EXPANSION TANK OVERFLOW TUBE 0/000.290.4020 (u. 1)
15	RADIATOR OVERFLOW TUBE 0/000.290.4019 (u. 1)

16	RADIATOR TO WATER PUMP PIPE CENTURY v.2 0/000.290.4029 (u. 1)
21	INJECTOR CENTURY v2 125i EURO5 2020 0/005.158.4000 (u. 1)
22	PRESSURE AND TEMPERATURE SENSOR CENTURY v2 EURO5 0/001.010.4002 (u. 1)
24	THROTTLE BODY AVENTURA 125 E5+ 0/005.158.4301 (u. 1)

CIRCUITO REFRIGERANTE



1	THERMOSTAT NKD 125 0/228.013.0009 (u. 1)
2	EXHAUST PIPE 0/228.013.0002 (u. 1)
3	WATER PUMP 0/228.013.0003 (u. 1)
4	WASHER 0/228.013.0004 (u. 1)
5	MECHANISM 0/228.013.0005 (u. 1)
6	OIL SEAL 12 X 20 X 5 0/228.013.0006 (u. 1)
7	BEARING 6001 0/228.013.0007 (u. 2)
8	WATER PUMP SHAFT 0/228.013.0008 (u. 1)
9	SPRING CLAMP Ø26 0/000.680.4019 (u. 2)
10	SPRING CLAMP Ø24 0/000.680.4018 (u. 1)
11	SPRING HOSE CLAMP Ø20 0/000.680.4017 (u. 1)
12	SCREW SENSOR TEMPERATURE AND PRESSURE M6x16 0/000.460.0093 (u. 1)
13	TEMPERATURE SENSOR AVENTURA 125 E5+ 0/001.010.4309 (u. 1)